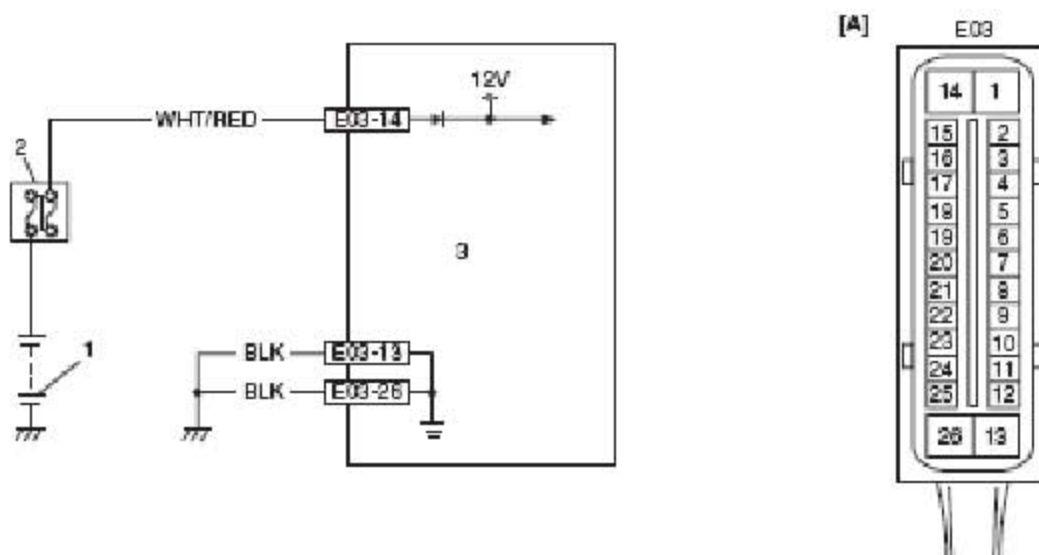


DTC C1057: Power Source Circuit

Wiring Diagram



[A]: ABS hydraulic unit / control module connector (viewed from terminal side)	2. Main fuse box
1. Battery	3. ABS hydraulic unit / control module assembly

DTC Detecting Condition

The ABS control module monitors the power source voltage at terminal "E03-14". When the power source voltage becomes extremely high or low while vehicle is running at more than 20 km/h (13 MPH), this DTC will be set. As soon as the power source voltage becomes normal, the ABS warning lamp will be turned off and the ABS control module will return to normal operation, but the set DTC will remain.

DTC Troubleshooting

Step	Action	Yes	No
1	Was "ABS Check" performed?	Go to Step 2.	Go to "ABS Check".
2	<p>1) Disconnect ABS hydraulic unit / control module connector with ignition switch turned OFF.</p> <p>2) Check for proper connection to ABS hydraulic unit / control module connector at terminals "E03-14" and "E03-13".</p> <p>3) If OK, then turn ignition switch to ON position and measure voltage between terminals "E03-14" and "E03-13".</p> <p>Is voltage 9.7 ± 0.3 V or more?</p>	Go to Step 5.	Go to Step 3.
3	<p>1) Turn ignition switch to OFF.</p> <p>2) Check for proper connection to ABS hydraulic unit / control module connector at terminals "E03-13" and "E03-26".</p> <p>3) If OK then turn ignition switch to ON and measure resistance between each terminal of "E03-13" and "E03-26" and vehicle body ground.</p> <p>Is resistance less than 2Ω?</p>	Go to Step 4.	"BLK" wire circuit in open or high resistance.
4	<p>Measure voltage between positive battery terminal and vehicle body ground with engine running.</p> <p>Is voltage 9.7 ± 0.3 V or more?</p>	Imperfect short between "WHT/RED" wire circuit and body ground.	Check charging system referring to "Generator Test (Undercharged Battery Check): in Section 1J".

Step	Action	Yes	No
5	1) Measure voltage between terminals "E03-14" and "E03-13" with engine running. Is voltage 18 ± 1.0 V or less?	Poor connection of "E03-14" and/or "E03-13" terminals. If the terminals are in good condition, substitute a known-good ABS hydraulic unit / control module and recheck.	Check charging system referring to "Generator Test (Overcharged Battery Check): in Section 1J".

LAUNCH