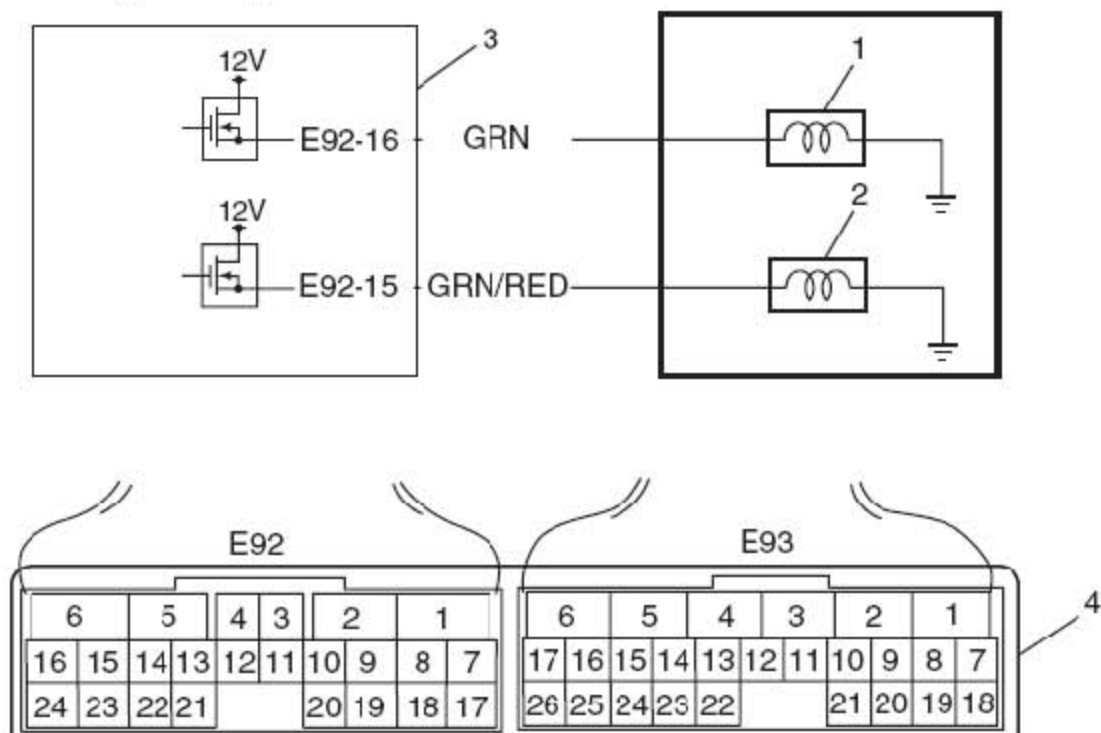


P0973 / P0976 Shift Solenoid "A" Control Circuit Low / Shift Solenoid "B" Control Circuit Low

Wiring Diagram



DTC Detecting Condition and Trouble Area

DTC Detecting Condition	Trouble Area
Voltage of shift solenoid valve TCM terminal is low although TCM is commanding shift solenoid to turn ON. (1 driving cycle detection logic)	<ul style="list-style-type: none"> • Shift solenoid valve circuit shorted to ground. • Malfunction of shift solenoid valve. • TCM

DTC Confirmation Procedure

DTC P0973:

- 1) Connect scan tool to DLC with ignition switch OFF.
- 2) Clear DTCs in TCM and ECM memories by using scan tool.
- 3) Start engine.
- 4) Shift select lever to "N" and "D" range for each 20 seconds.

5) Check DTC, pending DTC and freeze-frame data.

DTC P0976:

- 1) Connect scan tool to DLC with ignition switch OFF.
- 2) Clear DTCs in TCM and ECM memories by using scan tool.
- 3) Start engine.
- 4) Shift select lever to "N" and "D" range for each 10 seconds.
- 5) Start vehicle and increase vehicle speed to 20 km/h (12.5 mile/h) with throttle position 10% or less.
- 6) Stop vehicle.
- 7) Check DTC, pending DTC and freeze-frame data.

DTC Troubleshooting

Step	Action	Yes	No
1	Was "A/T System Check" performed?	Go to Step 2.	Go to "A/T System Check".
2	<p>Check shift solenoid valve circuit for ground short</p> <p>1) Disconnect TCM connectors. 2) Check for proper connection to TCM at terminals "E92-16" (for shift solenoid valve-A), "E92-15" (for shift solenoid valve-B). 3) If connection is OK, measure resistance between terminal "E92-16" (for shift solenoid valve-A), "E92-15" (for shift solenoid valve-B) of disconnected harness side TCM connector and ground. Is it less than 11 Ω?</p>	<p>DTC P0973: Shift solenoid valve-A circuit is shorted to ground. DTC P0976: Shift solenoid valve-B circuit is shorted to ground. If circuit is OK, go to Step 3.</p>	Go to Step 3.

Step	Action	Yes	No
3	Inspection solenoid valve 1) Inspection pressure control solenoid valve referring to "Solenoid Valves (Shift Solenoid-A, Shift Solenoid-B, TCC Pressure Control Solenoid and Pressure Control Solenoid Inspection: ". Is check results satisfactory?	Intermittent trouble or faulty TCM. Check for intermittent trouble referring to "Intermittent and Poor Connection Inspection: in Section 00", If OK, substitute a known-good TCM and recheck.	Replace defective solenoid valve referring to "Solenoid Valves (Shift Solenoid-A, Shift Solenoid-B, TCC Pressure Control Solenoid and Pressure Control Solenoid Removal and Installation: ".

LAUNCH