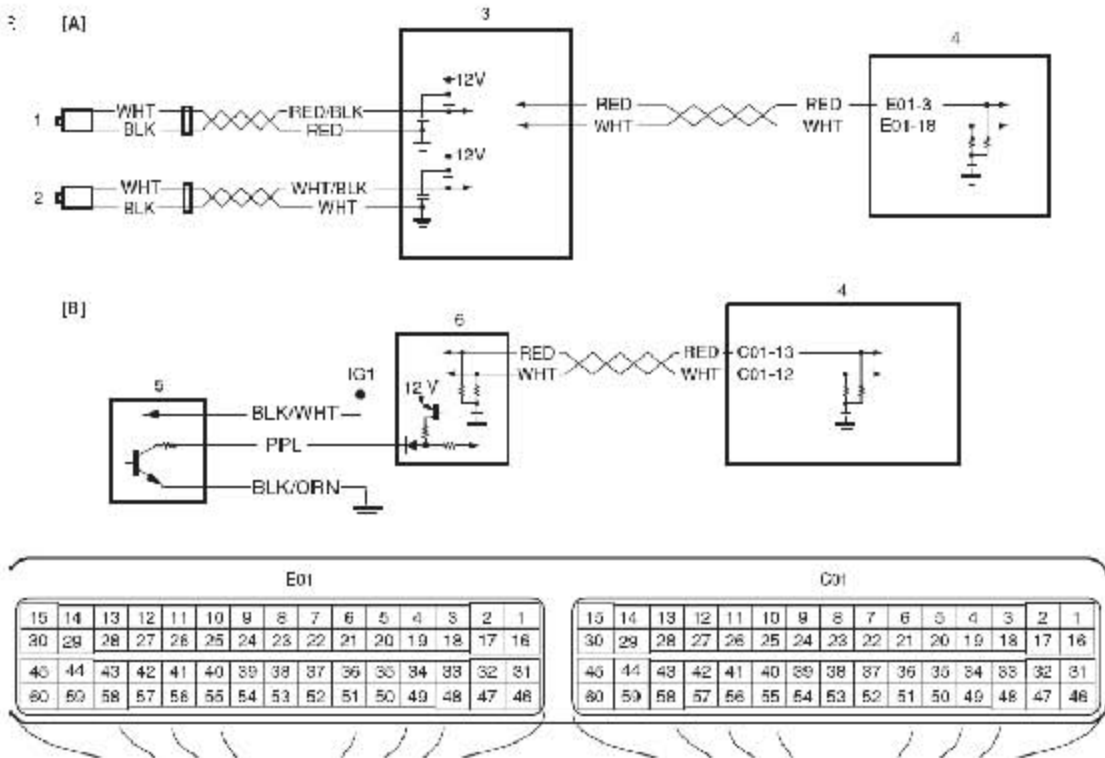


P0500: Vehicle Speed Sensor (VSS) Malfunction

Wiring Diagram



[A]: For M/T model	2. Front right side wheel speed sensor (VSS 2)	5. Output shaft speed sensor
[B]: For A/T model	3. ABS / ESP® control module	6. TCM
1. Front left side wheel speed sensor (VSS 1)	4. ECM	

DTC Detecting Condition and Trouble Area

DTC detecting condition	Trouble area
Vehicle speed signal is not input while fuel is cut at deceleration for 4 seconds at 3600 rpm or less. (2 driving cycle detection logic)	<ul style="list-style-type: none">• Wheel speed sensor (VSS) (for M/T model)• Wheel speed sensor circuit (for M/T model) ABS / ESP® control module assembly (for M/T model)• Output shaft speed sensor (for A/T model)• Output shaft speed sensor circuit (for A/T model)• TCM malfunction (for A/T model)• ECM malfunction

DTC Confirmation Procedure

- 1) With ignition switch turned OFF, connect scan tool.
- 2) Turn ON ignition switch and clear DTC using scan tool.
- 3) Warm up engine to normal operating temperature.
- 4) Drive vehicle at 4000 rpm (engine speed) with 3rd gear or "3" range.
- 5) Release accelerator pedal and with engine brake applied, keep vehicle coasting for 6 sec. or more (fuel cut condition for 5 sec. or more) and stop vehicle.
- 6) Check pending DTC and DTC.

DTC Troubleshooting

Step	Action	Yes	No
1	Was "Engine and Emission Control System Check" performed?	Go to Step 2.	Go to "Engine and Emission Control System Check".
2	Vehicle speed signal check Is vehicle speed displayed on scan tool in Step 4) and 5) of " DTC Confirmation Procedure "?	Intermittent trouble. Check for intermittent referring to "Intermittent and Poor Connection Inspection in Section 00".	For M/T model, go to Step 3. For A/T model, go to Step 4.
3	DTC check in ABS control module assembly 1) Connect scan tool to DLC with ignition switch turned OFF. 2) Check ABS / ESP® control module assembly for DTC. Is there any DTC(s) in ABS / ESP® control module assembly?	Go to applicable DTC diag. flow.	Substitute a known-good ECM and recheck.
4	DTC check in TCM 1) Connect scan tool to DLC with ignition switch turned OFF. 2) Check TCM for DTC. Is DTC P0722 detected?	Go to "DTC P0722: Output Speed Sensor (VSS) Circuit No Signal in Section 5A".	Substitute a known-good ECM and recheck.