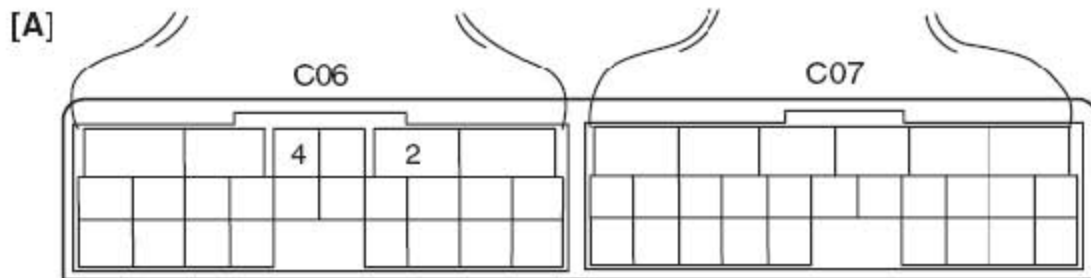
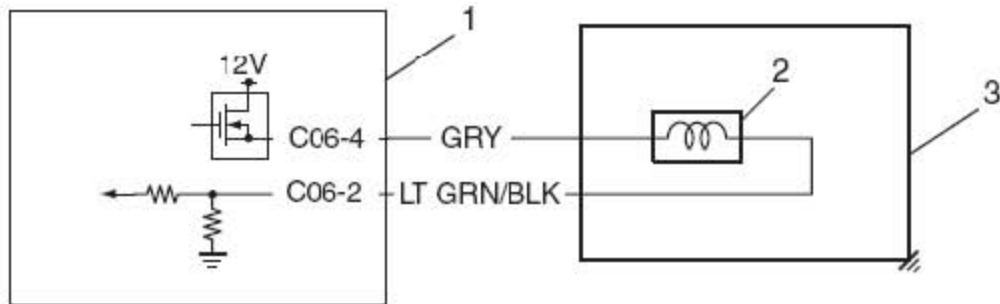


P0963: Pressure Control Solenoid Control Circuit High

Wiring Diagram



1. TCM	3. A/T
2. Pressure control solenoid valve	[A]: Terminal arrangement of TCM connector (viewed from harness side)

DTC Detecting Condition and Trouble Area

DTC detecting condition	Trouble area
Pressure control solenoid valve output voltage is too high comparing with TCM command value.	<ul style="list-style-type: none"> • Pressure control solenoid valve circuit shorted to power circuit • Pressure control solenoid valve malfunction • TCM

DTC Confirmation Procedure

- 1) Connect scan tool to DLC with ignition switch OFF, if available.

- 2) Clear DTC in TCM memory.
- 3) Start engine.
- 4) Keep engine running at idle speed for 15 seconds or more.
- 5) Check DTC.

DTC Troubleshooting

Step	Action	Yes	No
1	Was "A/T System Check" performed?	Go to Step 2.	Go to "A/T System Check".
2	<p>Check pressure control solenoid circuit for IG short</p> <p>1) Connect valve body harness connector. 2) Disconnect TCM connectors.</p> <p>3) Check for proper connection to TCM at terminal "C06-2" and "C06-4".</p> <p>4) If connection is OK, turn ignition switch ON and measure voltage between terminal "C06-4" of disconnected harness side TCM connector and ground.</p> <p>Is it 0 – 2 V?</p>	Go to Step 3.	"BRN/YEL" or "LT GRN" circuit shorted to power circuit.
3	<p>Check pressure control solenoid valve resistance</p> <p>1) Turn ignition switch OFF.</p> <p>2) Disconnect valve body harness connector (1), (2) on automatic transaxle.</p> <p>3) Check for proper connection to solenoid at "GRY" and "LT GRN/BLK" circuit.</p> <p>4) Check resistance of pressure control solenoid.</p> <p>Pressure control solenoid valve resistance Between terminals of transaxle side valve body harness connector: 5.0 – 5.6 Ω at 20 °C (68 °F) Between terminals of transaxle valve body harness connector and transaxle: Infinity</p> <p><i>Is check results satisfactory?</i></p>	Intermittent trouble or faulty TCM. Check for intermittent referring to "Intermittent and Poor Connection Inspection in Section 00". If OK, substitute a known good TCM and recheck.	Replace pressure control solenoid valve or valve body harness.