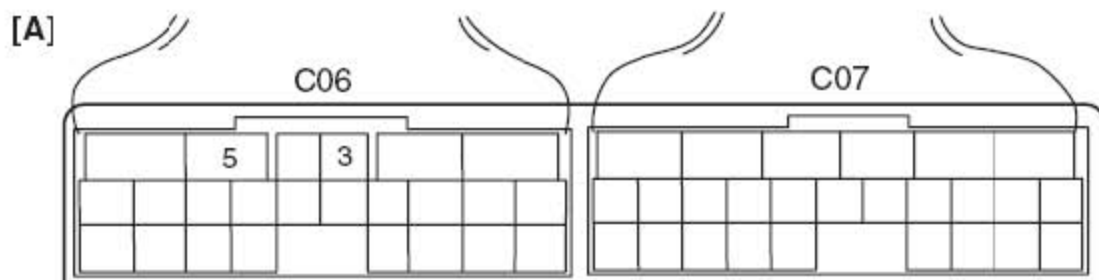
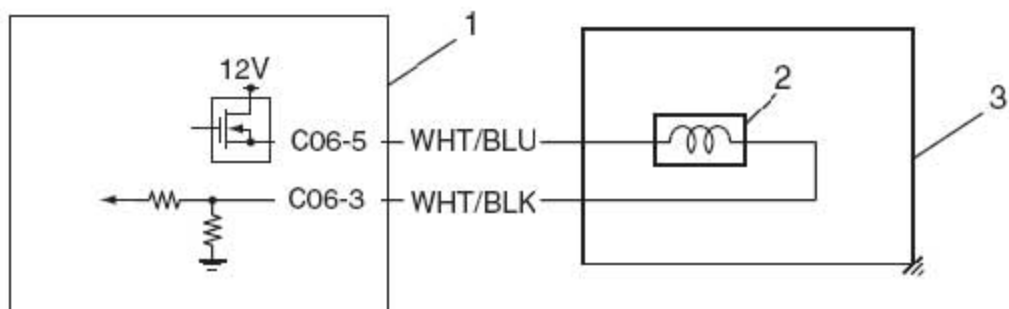


# P2764: Torque Converter Clutch (TCC) Circuit Pressure Control Solenoid Control Circuit Low

## Wiring Diagram



1. TCM	3. A/T
2. TCC solenoid valve	[A]: Terminal arrangement of TCM connector (viewed from harness side)

## DTC Detecting Condition and Trouble Area

DTC detecting condition	Trouble area
Voltage of TCC solenoid valve TCM terminal is low although TCM is commanding TCC solenoid valve to turn ON.	<ul style="list-style-type: none"> <li>• TCC solenoid valve circuit shorted to ground</li> <li>• Malfunction of TCC solenoid valve</li> <li>• TCM</li> </ul>

**DTC Confirmation Procedure**

- 1) Connect scan tool to DLC with ignition switch OFF, if available.
- 2) Clear DTC in TCM memory.
- 3) Start engine.
- 4) Keep engine running at idle speed in "P" range for 20 seconds or more.
- 5) Check DTC.

**DTC Troubleshooting**

Step	Action	Yes	No
1	Was "A/T System Check" performed?	Go to Step 2.	Go to "A/T System Check".
2	<p><b>Check TCC solenoid valve resistance</b></p> <p>1) Turn ignition switch OFF.</p> <p>2) Disconnect valve body harness connector (1), (2) on automatic transaxle.</p> <p>3) Check for proper connection to solenoid at "WHT/BLU" and "WHT/BLK" circuits.</p> <p>4) Check resistance of TCC solenoid valve.</p> <p><b>TCC solenoid valve resistance</b></p> <p><b>Between shift terminals of transaxle side valve body harness connector: 5.0 – 5.6 <math>\Omega</math> at 20 °C (68 °F)</b></p> <p><b>Between shift terminals of transaxle side valve body harness connector and transaxle: Infinity</b></p> <p><i>Is check results satisfactory?</i></p>	Go to Step 3.	Replace TCC solenoid valve or valve body harness.

Step	Action	Yes	No
3	<b>Check TCC solenoid valve circuit for ground short</b> <b>1) Disconnect TCM connectors. 2) Check for proper connection to TCM at terminals "C06-3" and "C06-5".</b> <b>3) If connection is OK, check continuity between terminal "C06-5" of disconnected harness side TCM connector and ground, between terminal "C06-3" of disconnected harness side TCM connector and ground. Are continuity indicated?</b>	"WHT/BLU" or "WHT/BLK" circuit shorted to ground.	Intermittent trouble or faulty TCM. Check for intermittent referring to "Intermittent and Poor Connection Inspection in Section 00". If OK, substitute a known-good TCM and recheck.

LAUNCH