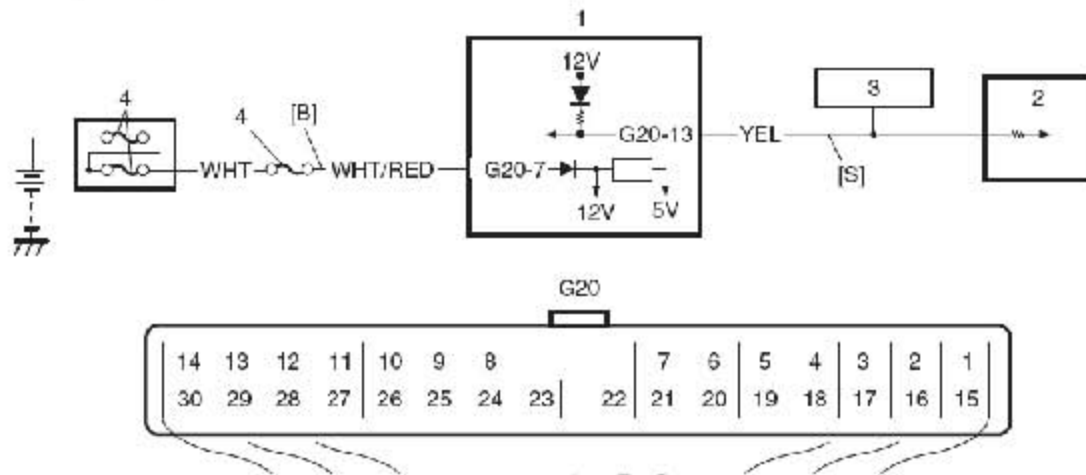


# B1551: Serial Communication Circuit Malfunction

## Wiring Diagram



[B]: Back-up power supply circuit	1. HVAC control module	3. Information display
[S]: Serial communication circuit	2. BCM	4. Circuit fuse

### DTC Detecting Condition and Trouble Area

DTC detecting condition	Trouble area
Serial communication signal is higher than or lower than specified value for specified time continuously.	<ul style="list-style-type: none"> <li>• Back-up power supply circuit</li> <li>• Serial communication circuit</li> <li>• BCM</li> <li>• Information display</li> <li>• HVAC control module</li> </ul>

## DTC Troubleshooting

Step	Action	Yes	No
1	Was "Air Conditioning System Check" performed?	Go to Step 2.	Go to "Air Conditioning System Check Automatic Type".
2	<b>Back-up power supply circuit fuse check 1) Check back-up power supply circuit fuse for blowing. Is fuse(s) blown?</b>	Replace blown fuse and check for short in back-up power supply circuit.	Go to Step 3.
3	<b>Wire harness check</b>  1) Turn ignition switch to OFF position. 2) Disconnect connectors from BCM, information display and HVAC control module. 3) Check for proper connection to serial communication circuit terminal of BCM, information display and HVAC control module connectors. 4) If OK, check that serial communication circuit is as follows. • Wiring harness resistance of serial communication circuit is less than 3 • Insulation resistance between serial communication circuit terminal and vehicle body ground is Infinity • Circuit voltage of serial communication circuit is 0 - 1 V with ignition switch turned ON Are they in good condition?	Go to Step 4.	Serial communication circuit is open, short or high resistance.

Step	Action	Yes	No
4	Serial communication signal check 1) Connect connectors to BCM and HVAC control module with ignition switch turned OFF. 2) Turn ignition switch to ON position. 3) Check that serial communication signal is outputted from BCM referring to "Voltage Check" under "Inspection of BCM and Its Circuits in Section 10B". Is serial communication signal outputted?	Replace information display.	Go to Step 5.
5	Communication data check 1) Connect connector to information display with ignition switch turned OFF. 2) Check that serial communication signal is outputted from BCM referring to "Voltage Check" under "Inspection of BCM and Its Circuits in Section 10B". Is serial communication signal outputted?	Substitute a known-good HVAC control module and recheck.	Substitute a known-good BCM and recheck.