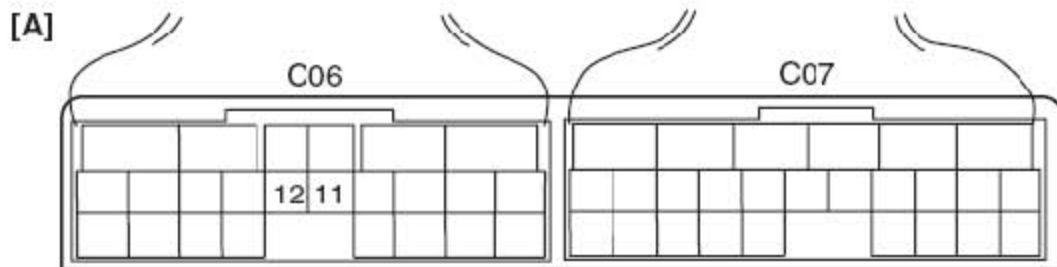
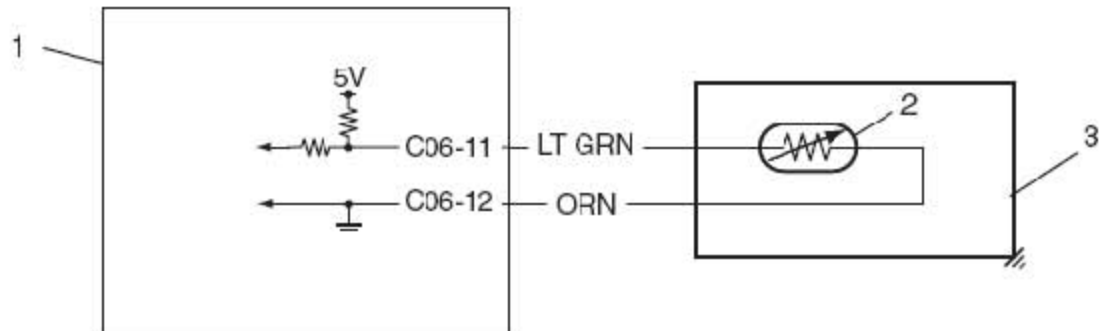


# P0712: Transmission Fluid Temperature Sensor Circuit Low

## Wiring Diagram



1. TCM	3. A/T
2. Transmission fluid temperature sensor	[A]: Terminal arrangement of TCM connector (viewed from harness side)

## DTC Detecting Condition and Trouble Area

DTC detecting condition	Trouble area
Transmission temperature sensor terminal voltage is less than specified value for 5 minutes or more after starting engine.	<ul style="list-style-type: none"> <li>• Transmission fluid temperature sensor or its circuit malfunction</li> <li>•TCM</li> </ul>

## DTC Confirmation Procedure

- 1) Connect scan tool to DLC with ignition switch OFF, if available.
- 2) Clear DTC in TCM memory and start engine and keep for 20 minutes or more.

3) Stop vehicle and check DTC.

### DTC Troubleshooting

Step	Action	Yes	No
1	Was "A/T System Check" performed?	Go to Step 2.	Go to "A/T System Check".
2	<p><b>Check transmission fluid temperature circuit for ground short</b></p> <p>1) Check continuity between terminal "C06-11" of disconnected harness side TCM connector and ground. Is continuity indicated?</p>	"LT GRN" circuit shorted to ground.	Go to Step 3.
3	<p><b>Inspect transmission fluid temperature sensor</b></p> <p>1) Inspect transmission fluid temperature sensor referring to "Transmission Fluid Temperature Sensor Inspection".</p> <p>Is result satisfactory?</p>	Intermittent trouble or faulty TCM. Check for intermittent referring to "Intermittent and Poor Connection Inspection in Section 00". If OK, substitute a known-good TCM and recheck.	Replace transmission fluid temperature sensor.