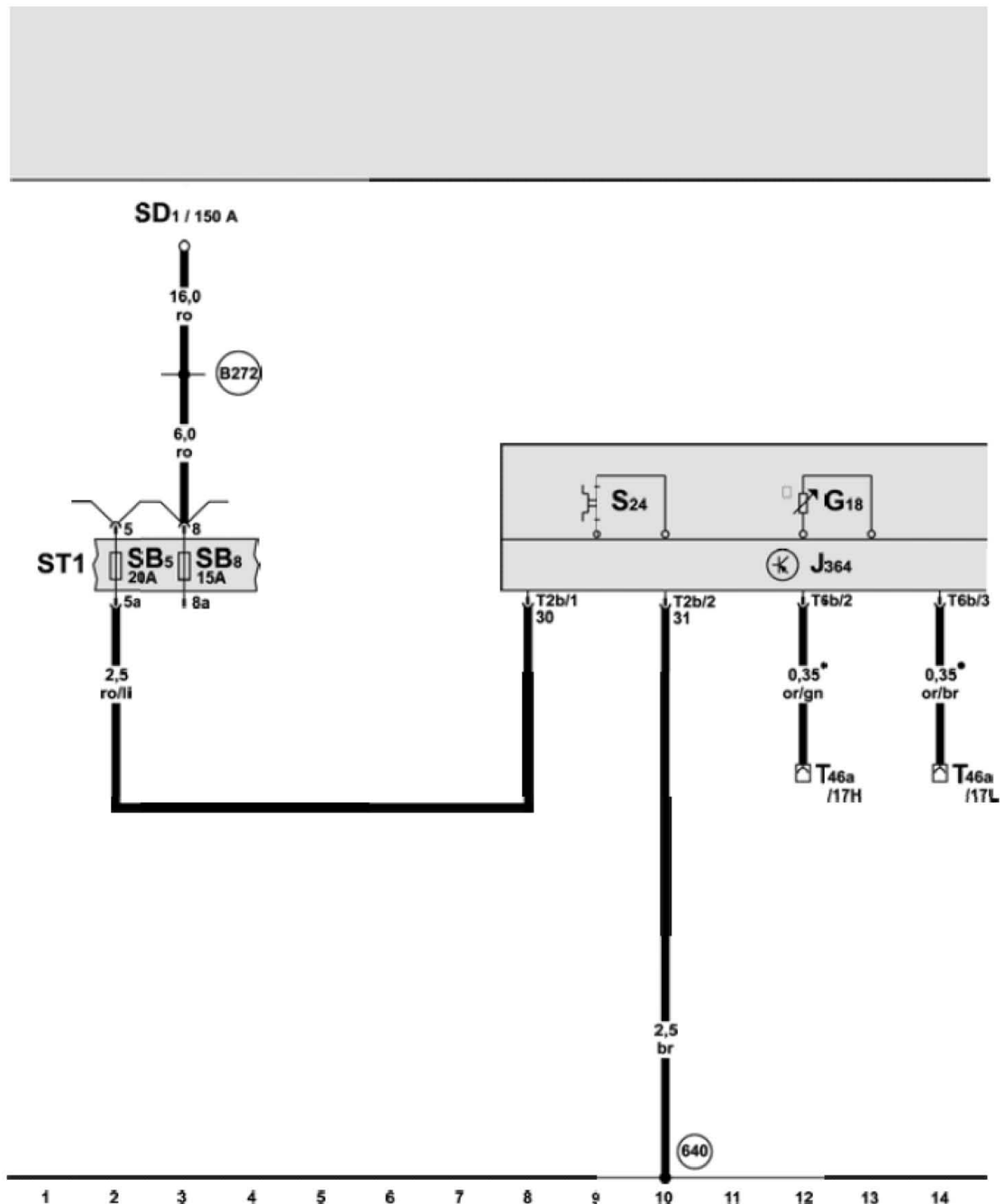


Auxiliary heater



ws = white sw = black ro = red br = brown gn = green bl = blue

gr = grey li = purple ge = yellow or = orange rs = pink

Auxiliary heater control unit, temperature sensor, heater overheating fuse in air conditioning system compressor

G18 - Temperature sensor

J364 - Auxiliary heater control unit

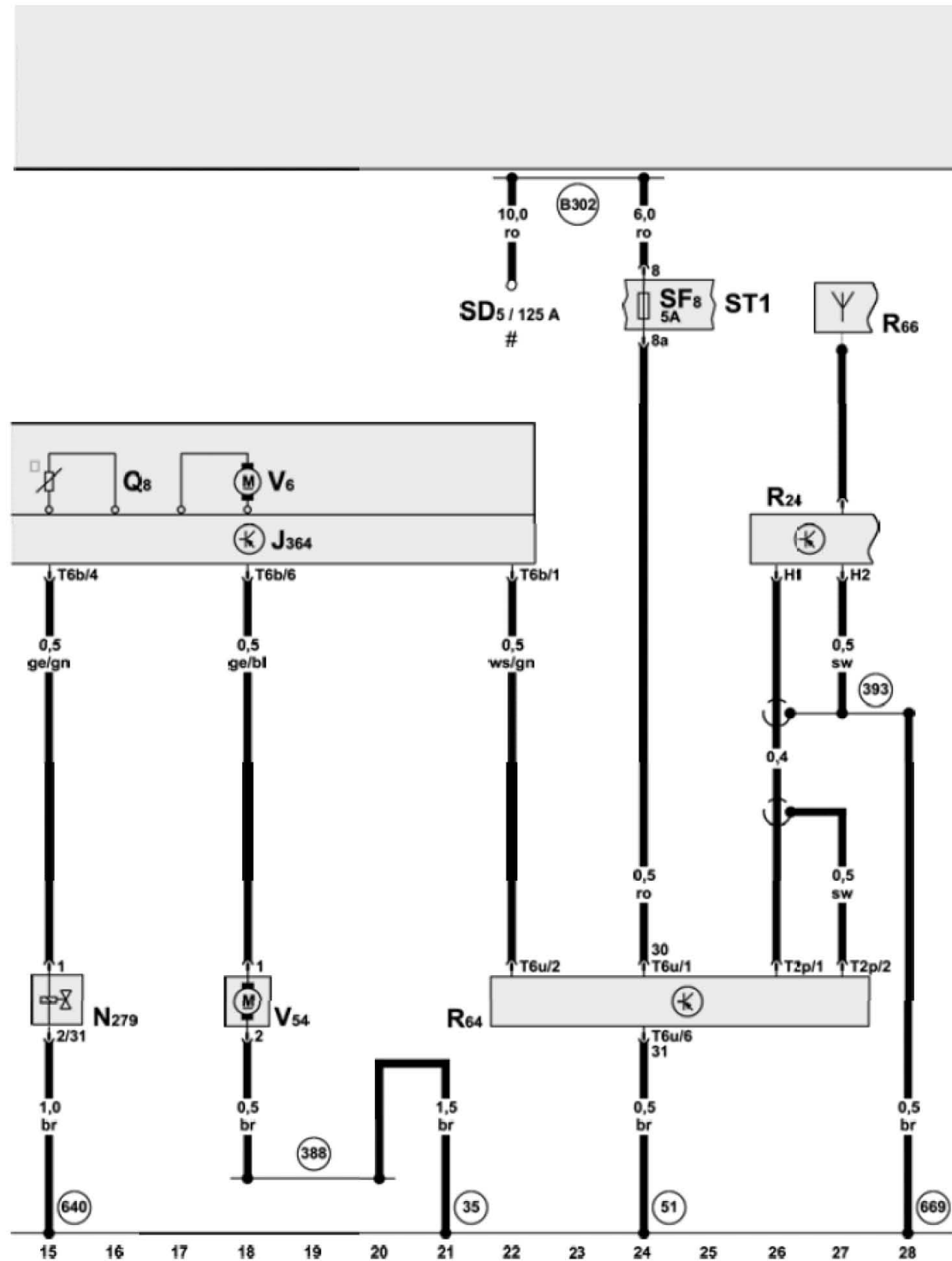
S24 - Heater overheating fuse in air conditioning system compressor

SB5 - Fuse 5 on fuse holder B

SB8 - Fuse 8 on fuse holder B

SD1 - Fuse 1 on fuse holder D

- T2b - 2-pin connector, on auxiliary heater control unit
- T6b - 6-pin connector, black, on auxiliary heater control unit
- T46a - 46-pin connector, black, CAN separating connector left
- 640 - Earth point, left in engine compartment
- B272 - Positive connection (30), in main wiring harness
 - CAN bus (data wire)
 - Relay and fuse carrier under driver seat



ws = white sw = black ro = red br = brown gn = green bl = blue
gr = grey li = purple ge = yellow or = orange rs = pink

Auxiliary heater control unit, heater coolant shut-off valve, remote control receiver for auxiliary heating, metering pump

J364 - Auxiliary heater control unit

N279 - Heater coolant shut-off valve

Q8 - Glow plug with flame monitor

R24 - Aerial amplifier

R64 - Remote control receiver for auxiliary heating

R66 - Telephone, navigation system and auxiliary heater aerial

SD5 - Fuse 5 on fuse holder D

SF8 - Fuse 8 on fuse holder F

T2p - 2-pin connector, yellow, on remote control receiver for auxiliary heating

T6b - 6-pin connector, black, on auxiliary heater control unit

T6u - 6-pin connector, blue, on remote control receiver for auxiliary heating

V6 - Combustion air blower

V54 - Metering pump

35 - Earth point, under front passenger seat

51 - Earth point, on right in luggage compartment

388 - Earth connection 23, in main wiring harness

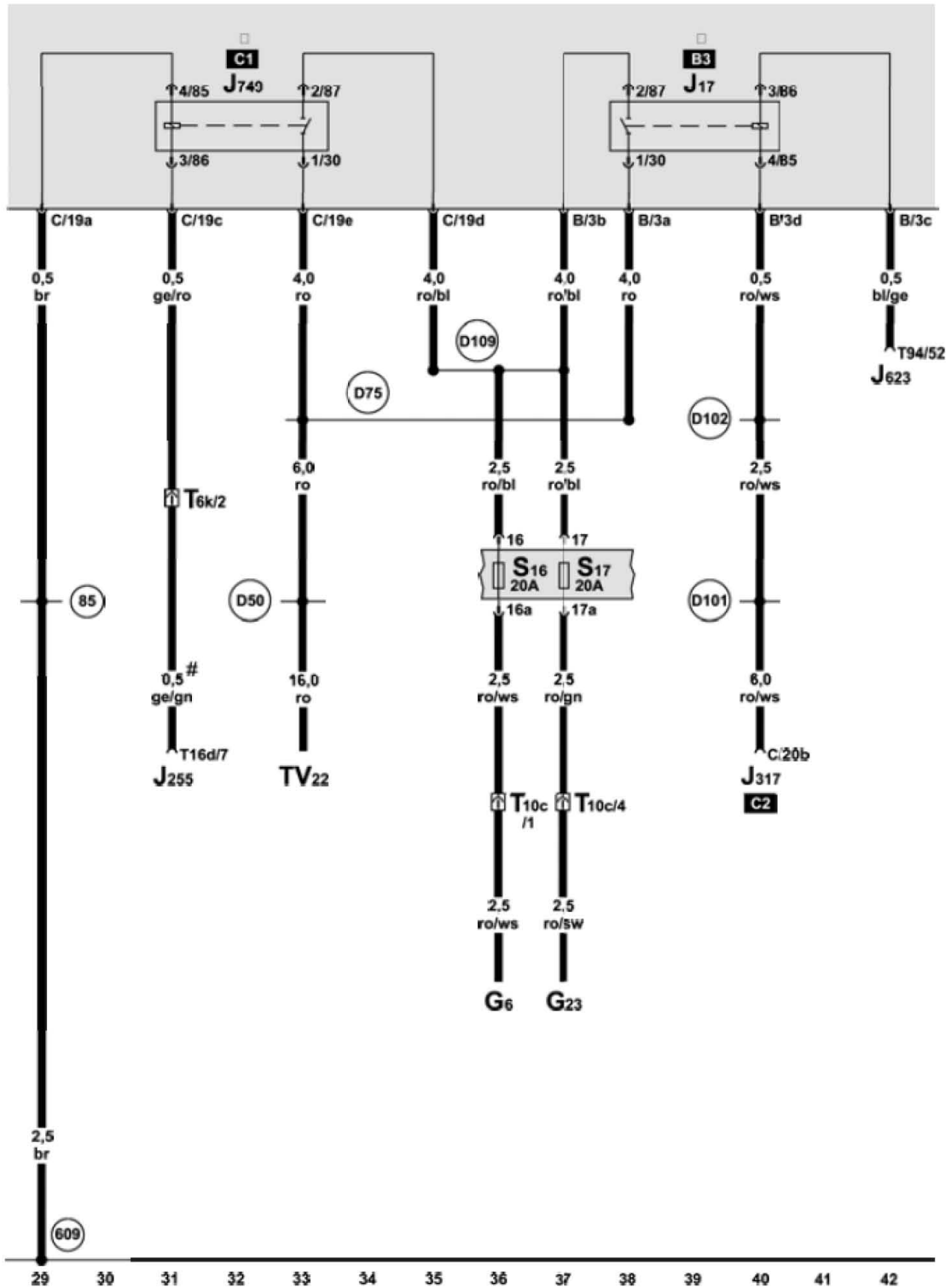
393 - Earth connection 28, in main wiring harness

640 - Earth point, left in engine compartment

669 - Earth point 2, right D-pillar

B302 - Positive connection 6 (30), in main wiring harness

- only auxiliary heater
- side window aerial right
- Relay and fuse carrier under driver seat



ws = white sw = black ro = red br = brown gn = green bl = blue
 gr = grey li = purple ge = yellow or = orange rs = pink

Auxiliary heater 3.0 l diesel engine BUN / BUG

G6 - Fuel system pressurisation pump

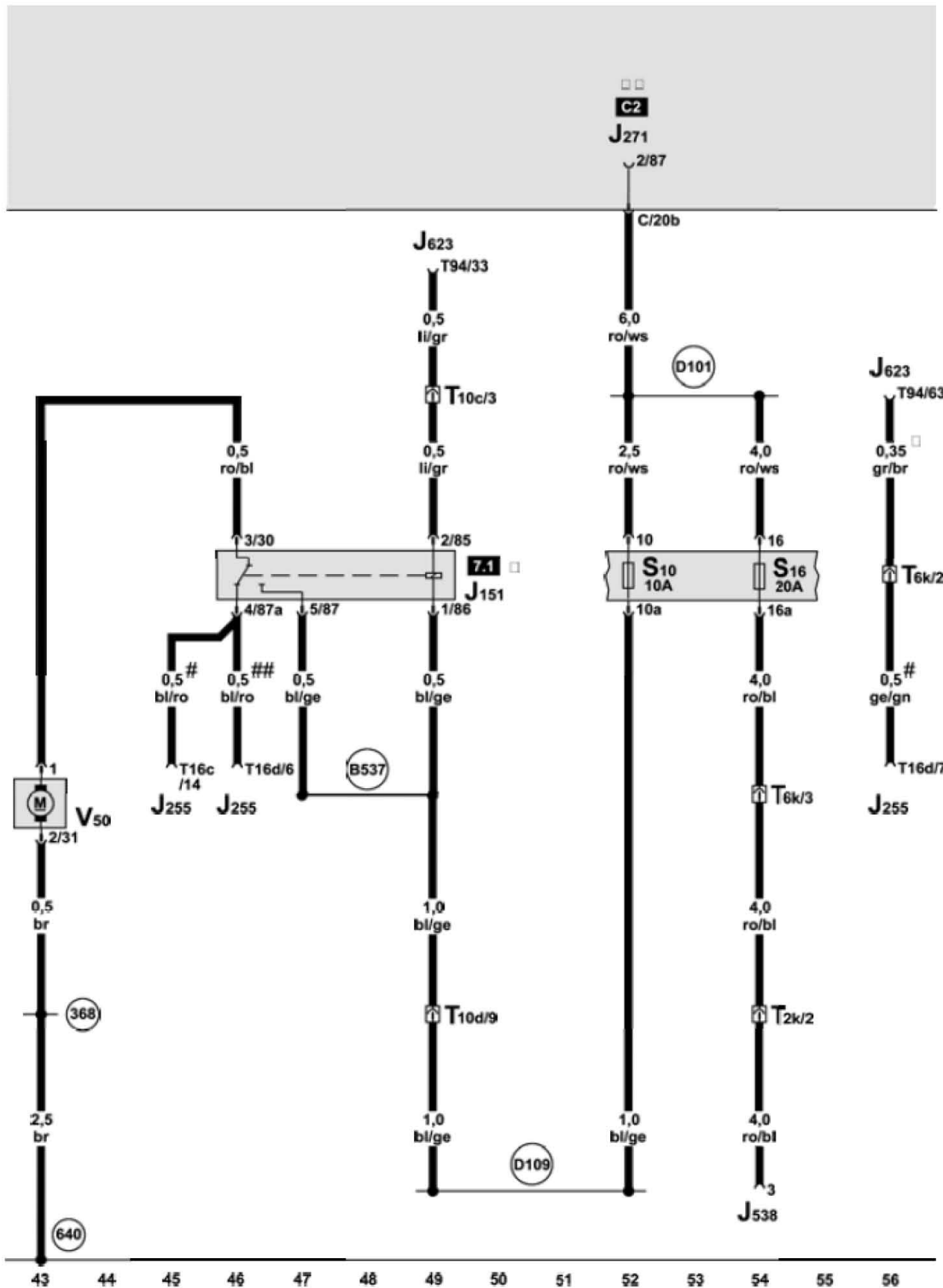
G23 - Fuel pump

J17 - Fuel pump relay

J255 - Climatronic control unit

J317 - Terminal 30 voltage supply relay
J623 - Engine control unit
J749 - Fuel pump relay for auxiliary heater
S16 - Fuses in relay plate fuse holder
S17 - Fuses in relay plate fuse holder
T6k - 6-pin connector, brown, coupling station on electronics box, plenum chamber
T10c - 10-pin connector, pink, coupling station on electronics box, plenum chamber
T16d - 16-pin connector, black, connector D, on Climatronic control unit
T94 - 94-pin connector, black, on engine control unit
TV22 - Terminal 30 wiring junction 2
85 - Earth connection 1, in engine compartment wiring harness
609 - Earth point, on right in plenum chamber
D50 - Positive connection (30), in engine compartment wiring harness
D75 - Positive connection 2 (30), in engine compartment wiring harness
D101 - Connection 1, in engine compartment wiring harness
D102 - Connection 2, in engine compartment wiring harness
D109 - Connection 7, in engine compartment wiring harness
- Relay and fuse carrier, electronics box plenum chamber
- Convenience air conditioning system

LAUNCH



ws = white sw = black ro = red br = brown gn = green bl = blue
 gr = grey li = purple ge = yellow or = orange rs = pink

Auxiliary heater 4.2 l BAR, continued coolant circulation relay, coolant circulation pump

J151 - Continued coolant circulation relay

J255 - Climatronic control unit

J271 - Motronic current supply relay

J538 - Fuel pump control unit

J623 - Engine control unit
S10 - Fuses in relay plate fuse holder
S16 - Fuses in relay plate fuse holder
T2k - 2-pin connector, black, under cover on vehicle floor
T6k - 6-pin connector, brown, coupling station on electronics box, plenum chamber
T10c - 10-pin connector, pink, coupling station on electronics box, plenum chamber
T10d - 10-pin connector, blue, coupling station on electronics box, plenum chamber
T16d - 16-pin connector, black, connector D, on Climatronic control unit
T94 - 94-pin connector, black, on engine control unit
V50 - Coolant circulation pump
368 - Earth connection 3, in main wiring harness
640 - Earth point, left in engine compartment
B537 - Connection 28, in main wiring harness
D101 - Connection 1, in engine compartment wiring harness
D109 - Connection 7, in engine compartment wiring harness

- relay and fuse carrier centre dash panel
- Relay and fuse carrier, electronics box plenum chamber
- Convenience air conditioning system
- Air conditioning system basis

LAUNCH