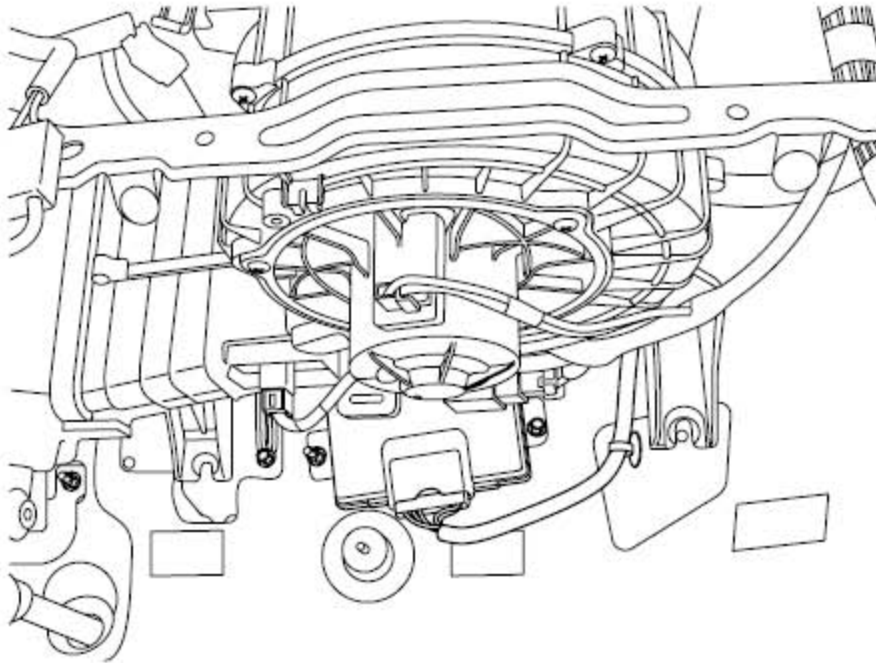


P1745 ECU INVALID PART NUMBER

COMPONENT LOCATION



GENERAL DESCRIPTION

Many control units is applied to the vehicle due to vehicle to be electronic control type and these perform many controls by receiving signals from sensors. So the common use of each sensors and the need of comunizing informations became a prominent figure. CAN communicationmethod is used at power train (ABS, trnasmission, engine, ECS etc) control of vehicle because it withstands eletronical external noise by spark and can high-speed communication. Though CAN communication, ECM and TCM hold engine RPM, APS, step of transmission, decreasing of torque in common and perform the active control.

CAN:Engine Data (TPS,RPM...)	CAN: Engine Data (TPS,RPM...) ABS Data (4Wheel Signals, ABS/TCS Active data...)	CAN: Engine Data (TPS,RPM...) ESP Data (Steering Angle Sensor 4Wheel Signals, ABS/TCS Active data...)
NON-ABS →	ABS/TCS	→ ESP

DTC DESCRIPTION

This DTC is set when inappropriate 4WD-ECU(TCCU) is detected.
If failure is detected TCCU prohibits the ITM control.

DTC DETECTING CONDITION

Item	Detecting Condition	Possible Cause
DTC Strategy	Invalid part number	<ul style="list-style-type: none"> • Part Number • Faulty TCCU
Enable Conditions	Ignition cycle required	
Threshold Value	1 occurrence will mature	
Diagnostic Time	1 sec	
MIL on condition	0.5 Sec	
Fail Safe	Clutch will not react correctly as vehicle inputs are not defined	

MONITOR DTC STATUS

- 1). Connect scantool to Data Link Connector(DLC).
- 2). Warm up the engine to normal operating temperature.
- 3). Monitor DTC(Diagnostics Trouble Code) on the scantool.

1.1 DIAGNOSTIC TROUBLE CODES			
P1745 ECU INVALID PART NUMBER			
NUMBER OF DTC : 2 ITEMS			
HELP	ERAS	FLOW	PART

4). Is the same DTC displayed again?

YES

- ▶ Check if equipped option(ABS/TCS, ESP) and part number is qualified specification Repair or replace as necessary and go to "Verification of vehicle Repair" procedure.

NO

- ▶ Fault is intermittent caused by poor contact in the sensor' s and/or TCCU' s connector or was repaired and TCCU memory was not cleared. Thoroughly check connectors for looseness, poor connection, bending, corrosion, contamination, deterioration, or damage. Repair or replace as necessary and go to "Verification of vehicle Repair" procedure.

VERIFICATION OF VEHICLE REPAIR

- 1). Connect scan tool and select "Diagnostic Trouble Codes(DTCs)" mode.
- 2). Using scantool, Clear DTC.
- 3). Operate the vehicle within DTC Enable conditions in General information.
- 4). Are any DTCs present ?

YES

- ▶ Go to the applicable troubleshooting procedure.

NO

- ▶ System is performing to specification at this time.