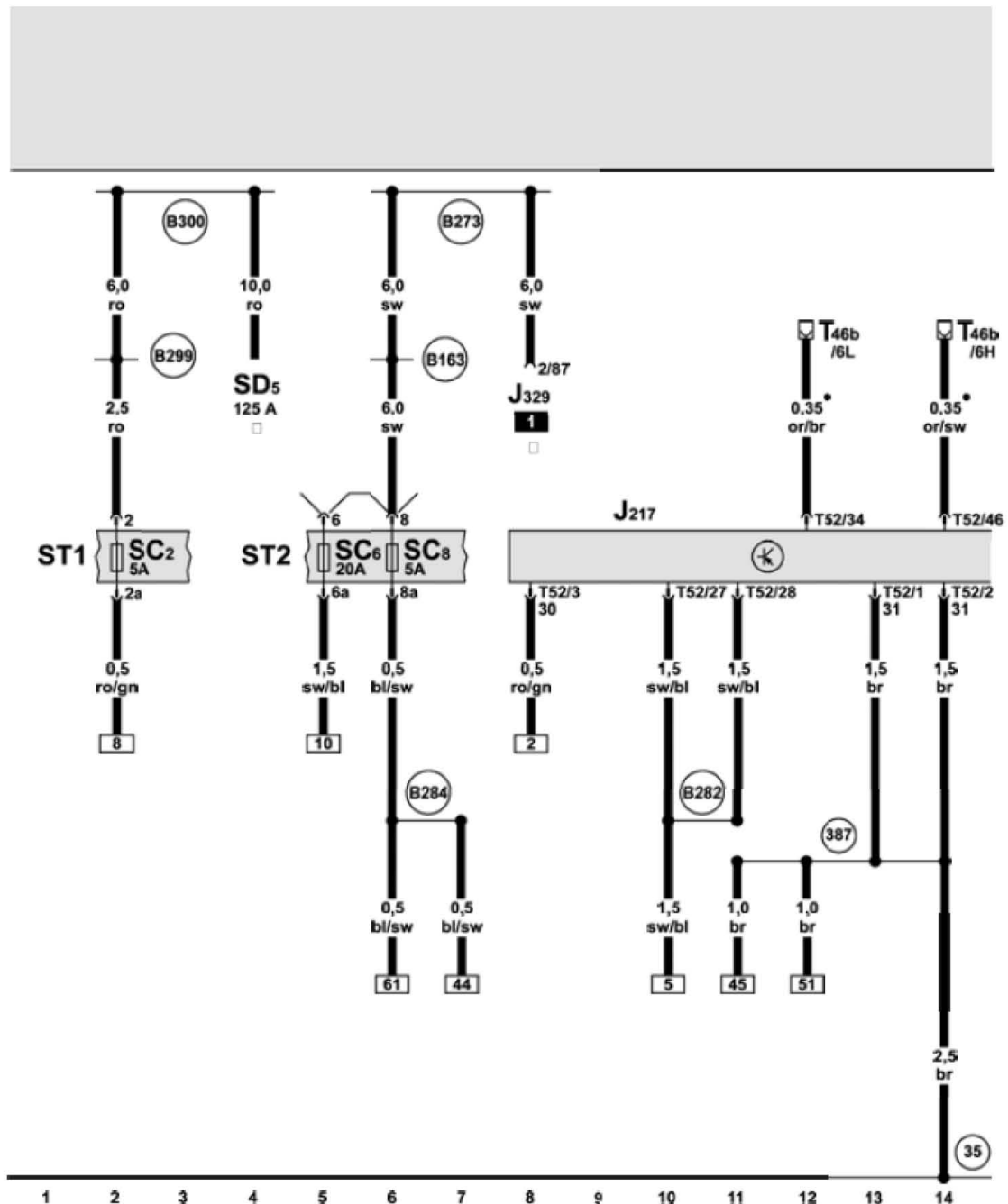


## Automatic gearbox 09D



1 2 3 4 5 6 7 8 9 10 11 12 13 14

ws = white    sw = black    ro = red    br = brown    gn = green    bl = blue  
 gr = grey    li = purple    ge = yellow    or = orange    rs = pink

Automatic gearbox control unit, fuses

J217 - Automatic gearbox control unit

J329 - Terminal 15 voltage supply relay

SC2 - Fuse 2 on fuse holder C

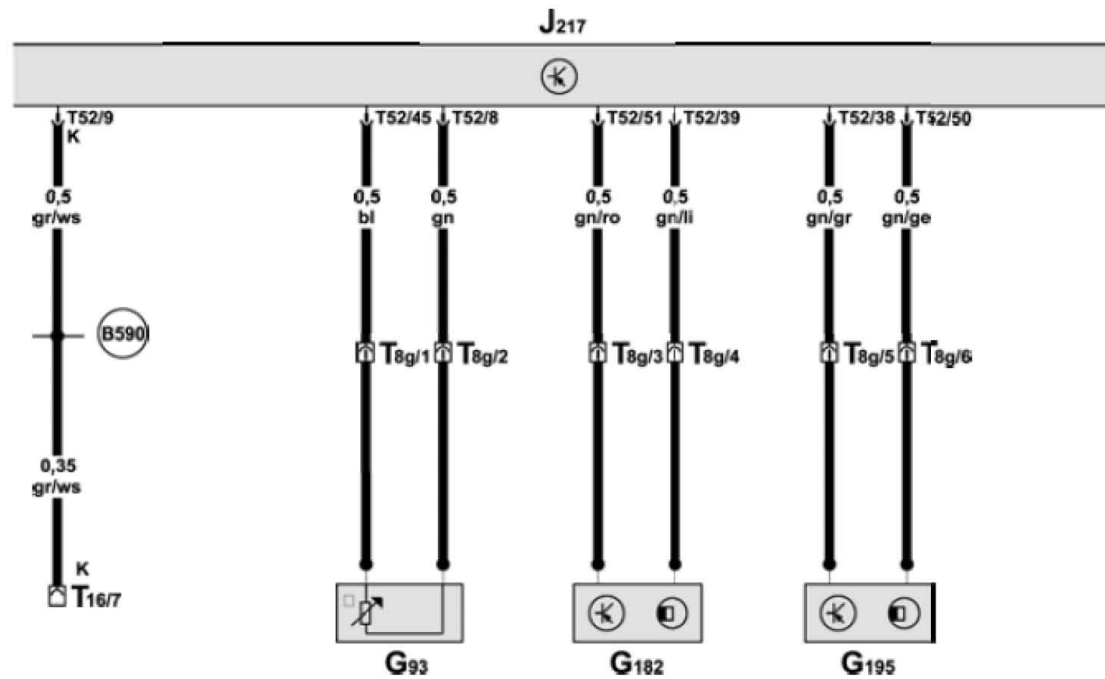
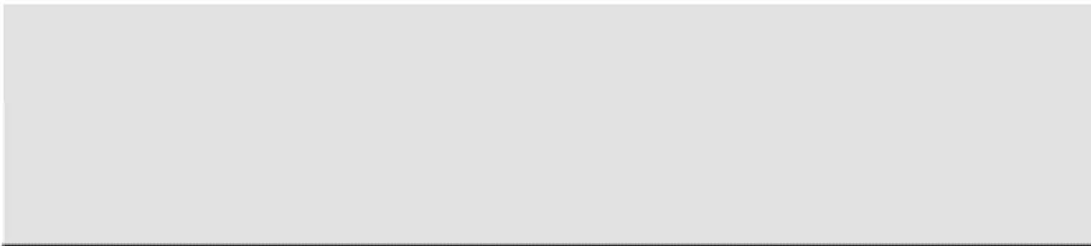
SC6 - Fuse 6 on fuse holder C

SC8 - Fuse 8 on fuse holder C

SD5 - Fuse 5 on fuse holder D

T46b - 46-pin connector, black, CAN separating connector right

- T52 - 52-pin connector, black, on automatic gearbox control unit
- 35 - Earth point, under front passenger seat
- 387 - Earth connection 22, in main wiring harness
- B163 - Positive connection 1 (15), in interior wiring harness
- B273 - Positive connection (15), in main wiring harness
- B282 - Positive connection 6 (15a), in main wiring harness
- B284 - Positive connection 8 (15a), in main wiring harness
- B299 - Positive connection 3 (30), in main wiring harness
- B300 - Positive connection 4 (30), in main wiring harness
  - CAN bus (data wire)
  - Relay and fuse carrier under driver seat



15 16 17 18 19 20 21 22 23 24 25 26 27 28

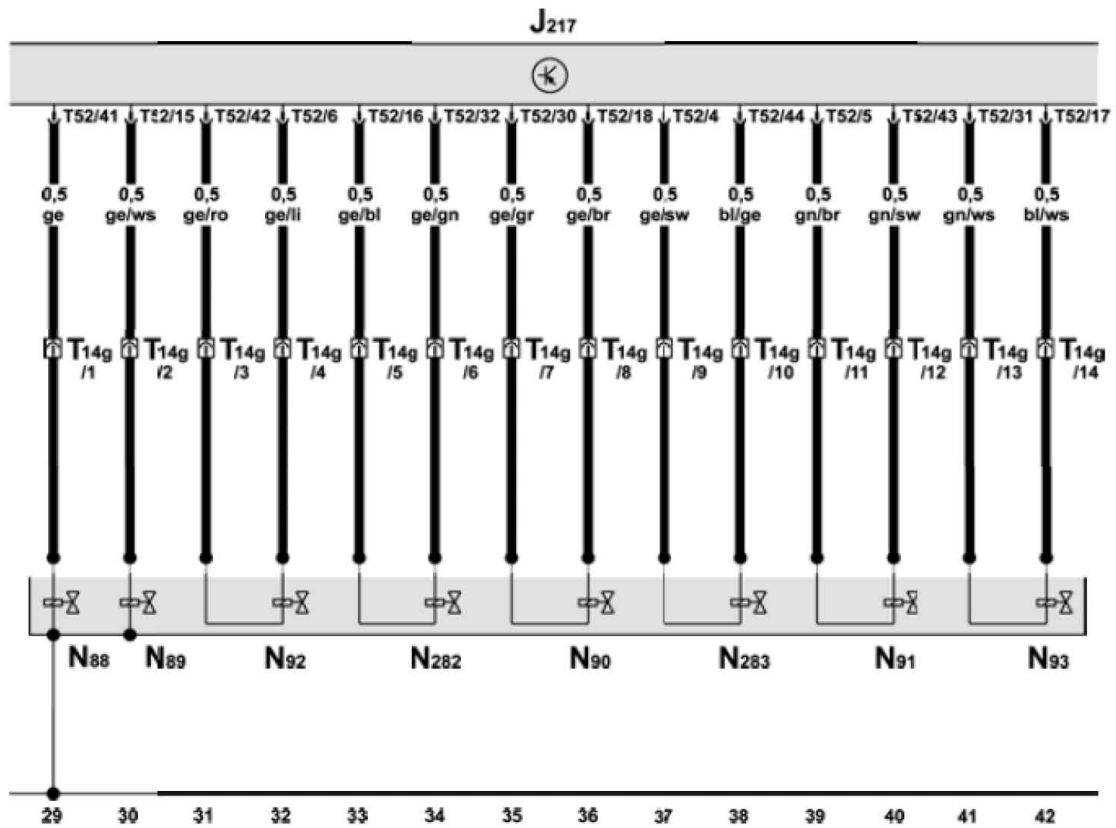
ws = white    sw = black    ro = red    br = brown    gn = green    bl = blue  
 gr = grey    li = purple    ge = yellow    or = orange    rs = pink

Automatic gearbox control unit, gearbox oil temperature sender, gearbox input speed sender, gearbox output speed sender

G93 - Gearbox oil temperature sender

G182 - Gearbox input speed sender

- G195 - Gearbox output speed sender
- J217 - Automatic gearbox control unit
- T8g - 8-connector, black, on gearbox
- T16 - 16-pin connector, diagnosis socket
- T52 - 52-pin connector, black, on automatic gearbox control unit
- B590 - K diagnosis connection, interior wiring harness



ws = white    sw = black    ro = red    br = brown    gn = green    bl = blue  
 gr = grey    li = purple    ge = yellow    or = orange    rs = pink

Automatic gearbox control unit, solenoid valves

- J217 - Automatic gearbox control unit
- N88 - Solenoid valve 1
- N89 - Solenoid valve 2
- N90 - Solenoid valve 3
- N91 - Solenoid valve 4
- N92 - Solenoid valve 5
- N93 - Solenoid valve 6
- N282 - Solenoid valve 9
- N283 - Solenoid valve 10



Automatic gearbox control unit, multifunction switch, gear selector position P switch, selector lever lock solenoid, reversing switch

E415 - Entry and start authorisation switch

F41 - Reversing switch

F125 - Multifunction switch

F305 - Gear selector position P switch

J217 - Automatic gearbox control unit

J518 - Entry and start authorisation control unit

J519 - Onboard supply control unit

J623 - Engine control unit

N110 - Selector lever lock solenoid

T4c - 4-pin connector, black, in centre console on selector lever console

T6a - 6-pin connector, on entry and start authorisation switch

T10c - 10-pin connector, pink, coupling station on electronics box, plenum chamber

T10p - 10-pin connector, black, on gearbox

T20e - 20-pin connector, black, on entry and start authorization control unit

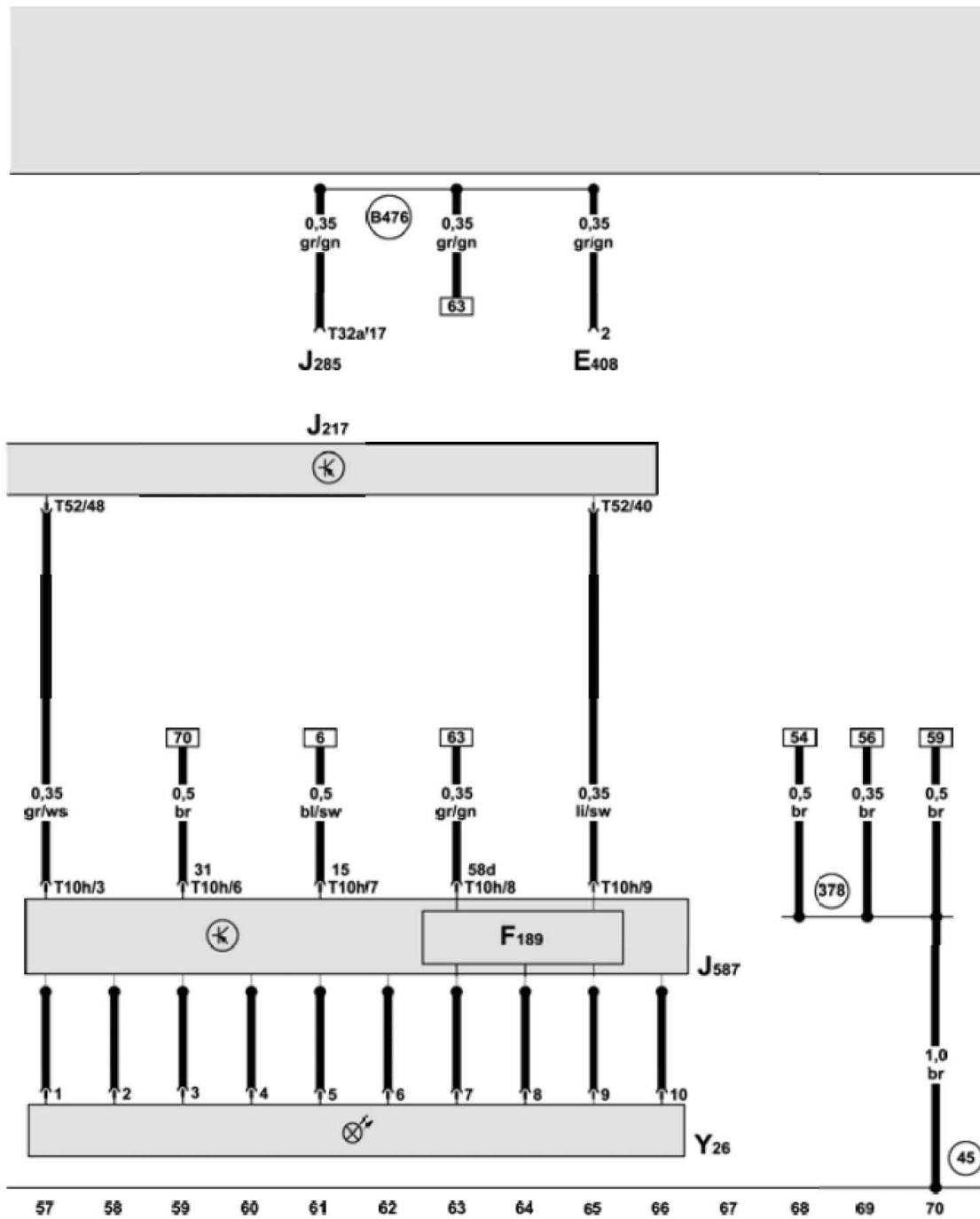
T32b - 32-pin connector, grey, on onboard supply control unit

T52 - 52-pin connector, black, on automatic gearbox control unit

B482 - Connection 18, in main wiring harness

B520 - Connection (RL), in main wiring harness

- see engine Current Flow Diagram



ws = white    sw = black    ro = red    br = brown    gn = green    bl = blue  
 gr = grey    li = purple    ge = yellow    or = orange    rs = pink

Automatic gearbox control unit, selector lever sensors control unit, Tiptronic switch, selector lever position display

E408 - Entry and start authorisation button

F189 - Tiptronic switch

J217 - Automatic gearbox control unit

J285 - Control unit in dash panel insert

J587 - Selector lever sensors control unit

T10h - 10-pin connector, black, on selector lever sensors control unit  
T32a - 32-pin connector, grey, on control unit in dash panel insert  
T52 - 52-pin connector, black, on automatic gearbox control unit  
Y26 - Selector lever position display  
45 - Earth point, centre behind dash panel  
378 - Earth connection 13, in main wiring harness  
B476 - Connection 12, in main wiring harness

LAUNCH