

## B1473、B1474、B1477、B1478 CURTAIN AIRBAG RESISTANCE

### DTC DESCRIPTION

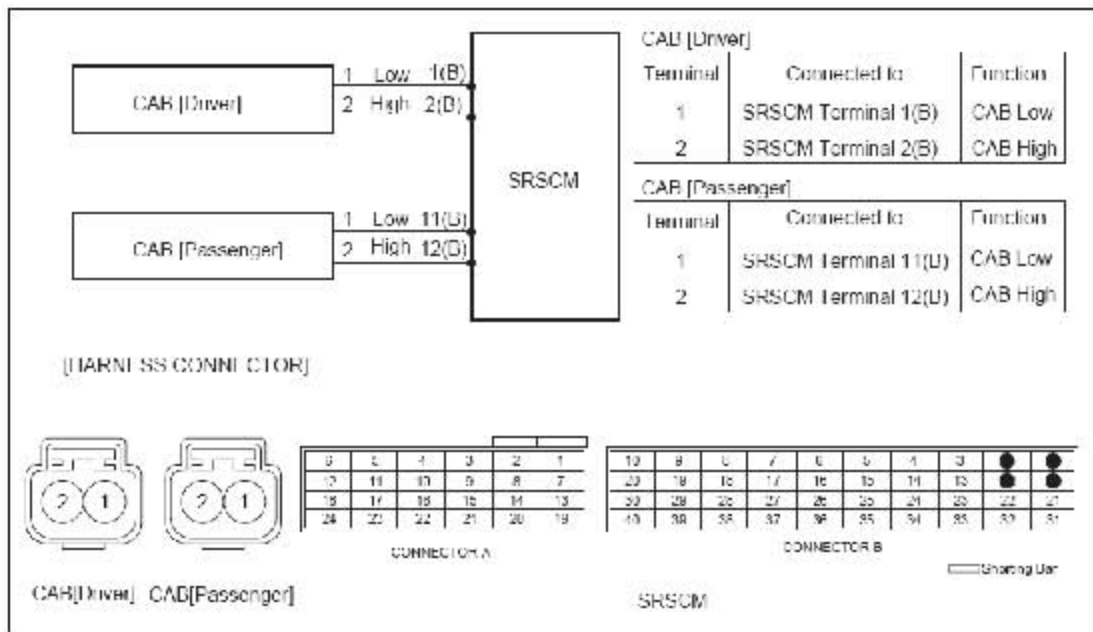
The CAB squib circuit consists of the SRSCM and two Curtain Airbags(CAB). It causes the SRS to deploy when the SRS deployment conditions are satisfied. The above DTC is recorded when the CAB resistance too high or low is detected in the CAB squib circuit.

DTC	FAULT DESCRIPTION
B1473	CURTAIN AIRBAG [DRIVER] RESISTANCE TOO HIGH
B1474	CURTAIN AIRBAG [DRIVER] RESISTANCE TOO LOW
B1477	CURTAIN AIRBAG [PASSENGER] RESISTANCE TOO HIGH
B1478	CURTAIN AIRBAG [PASSENGER] RESISTANCE TOO LOW

### DTC DETECTING CONDITION

DTC	Condition	Probable cause
B1473 B1474 B1477 B1478	<ul style="list-style-type: none"> <li>• Too high or low resistance between CAB high(+) and CAB low(-)</li> <li>• Curtain Airbag (CAB) Malfunction</li> <li>• SRSCM Malfunction</li> </ul>	<ul style="list-style-type: none"> <li>• Open or short circuit on wiring harness</li> <li>• Curtain Airbag (CAB) squib</li> <li>• SRSCM</li> </ul>

## SCHEMATIC DIAGRAM



## SPECIFICATION

**CAB resistance** : 1.4 ~ 6.2 Ω

## TERMINAL & CONNECTOR INSPECTION

Refer to the DESCRIPTION in this TROUBLESHOOTING section.

## INSPECTION PROCEDURE

### 1). PREPARATION

Refer to the DESCRIPTION in this TROUBLESHOOTING section.

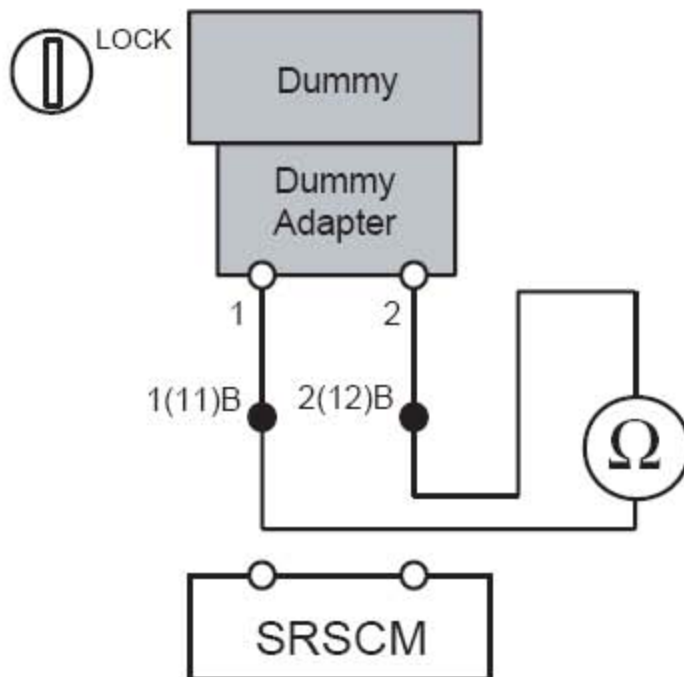
### 2). CHECK CAB RESISTANCE

## CAUTION

Never attempt to measure the circuit resistance of the airbag module(squib) even if you are using the specified tester.

- A) Connect the Dummy and the Dummy Adapter on CAB harness connector. Refer to "SPECIAL SERVICE TOOL" section in this SERVICE MANUAL for the SST No. of Dummy and Dummy Adapter.
- B) Measure resistance between the terminal 2(12) and 1(11) of SRSCM harness connector(B).

**Specification (resistance)** : 1.4 ~ 6.2 Ω



C) Is the measured resistance within specification?

**YES**

- ▶ Replace the Curtain Airbag(CAB) module.

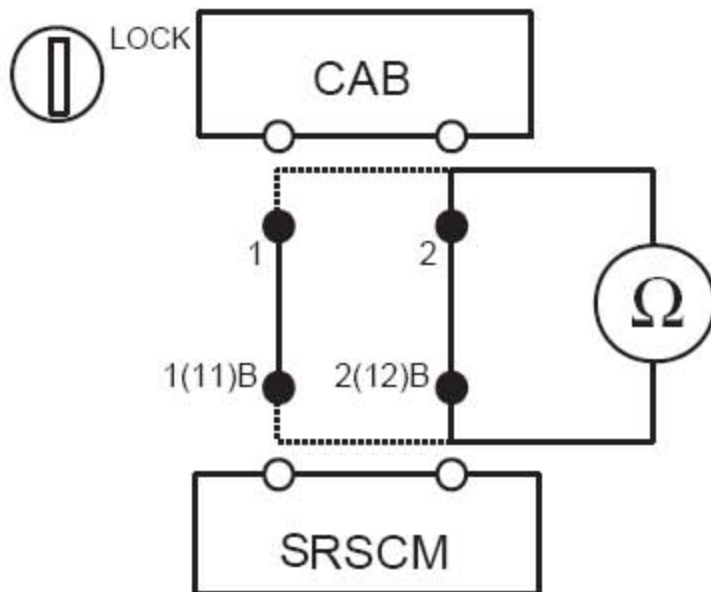
**NO**

- ▶ Check open circuit.

3). CHECK OPEN CIRCUIT

- A) Measure resistance between the terminal 2 of CAB harness connector and the terminal 2(12) of SRSCMharness connector(B).
- B) Measure resistance between the terminal 1 of CAB harness connector and the terminal 1(11) of SRSCMharness connector(B).

**Specification (resistance) : below 1 Ω**



C) Is the measured resistance within specification?

**YES**

▶ Check short circuit.

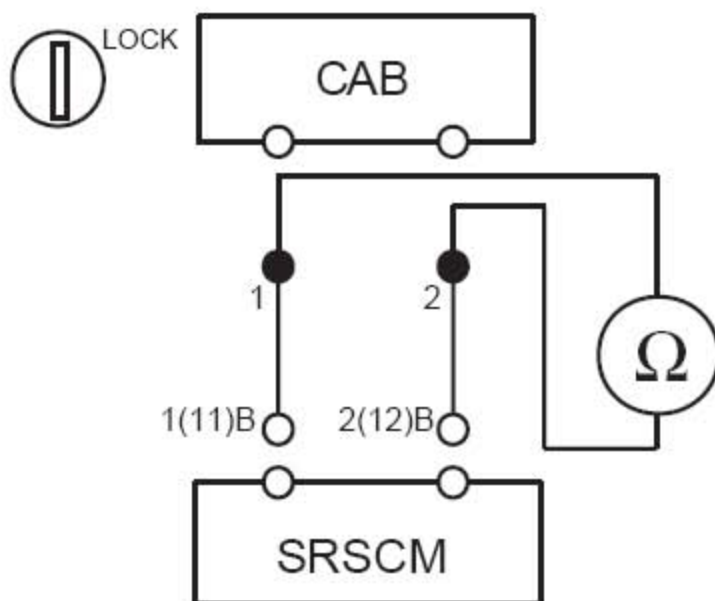
**NO**

▶ Repair or replace the wiring harness between the CAB and the SRSCM.

#### 4). CHECK SHORT CIRCUIT

A) Measure resistance between the terminal 1 and 2 of CAB harness connector.

**Specification (resistance) : infinite**



B) Is the measured resistance within specification?

**YES**

- ▶ Go to next step.

**NO**

- ▶ Repair or replace the wiring harness between the CAB and the SRSCM.

5). CLEAR THE DTC AND CHECK THE VEHICLE AGAIN

Refer to the DESCRIPTION in this TROUBLESHOOTING section.