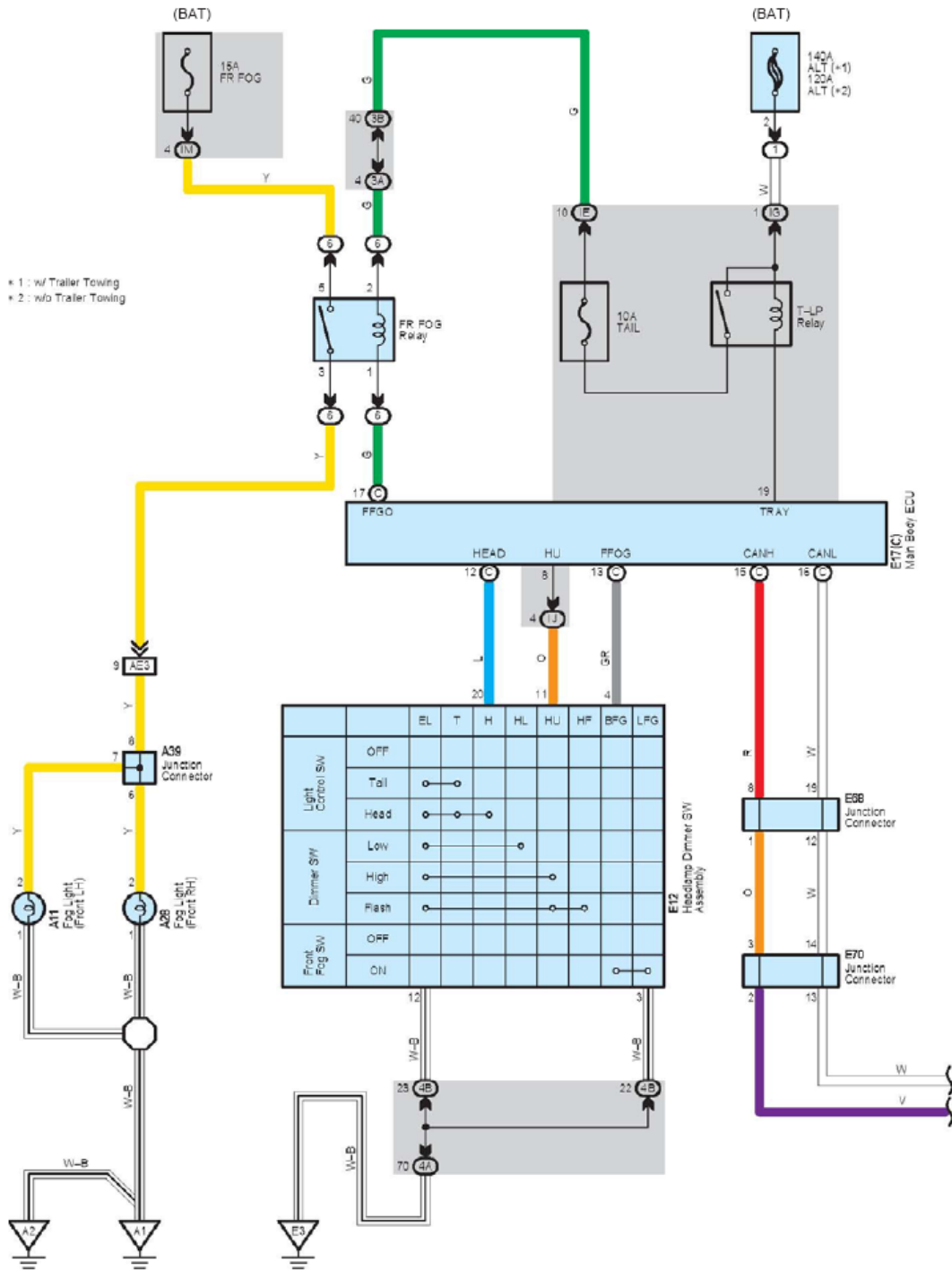
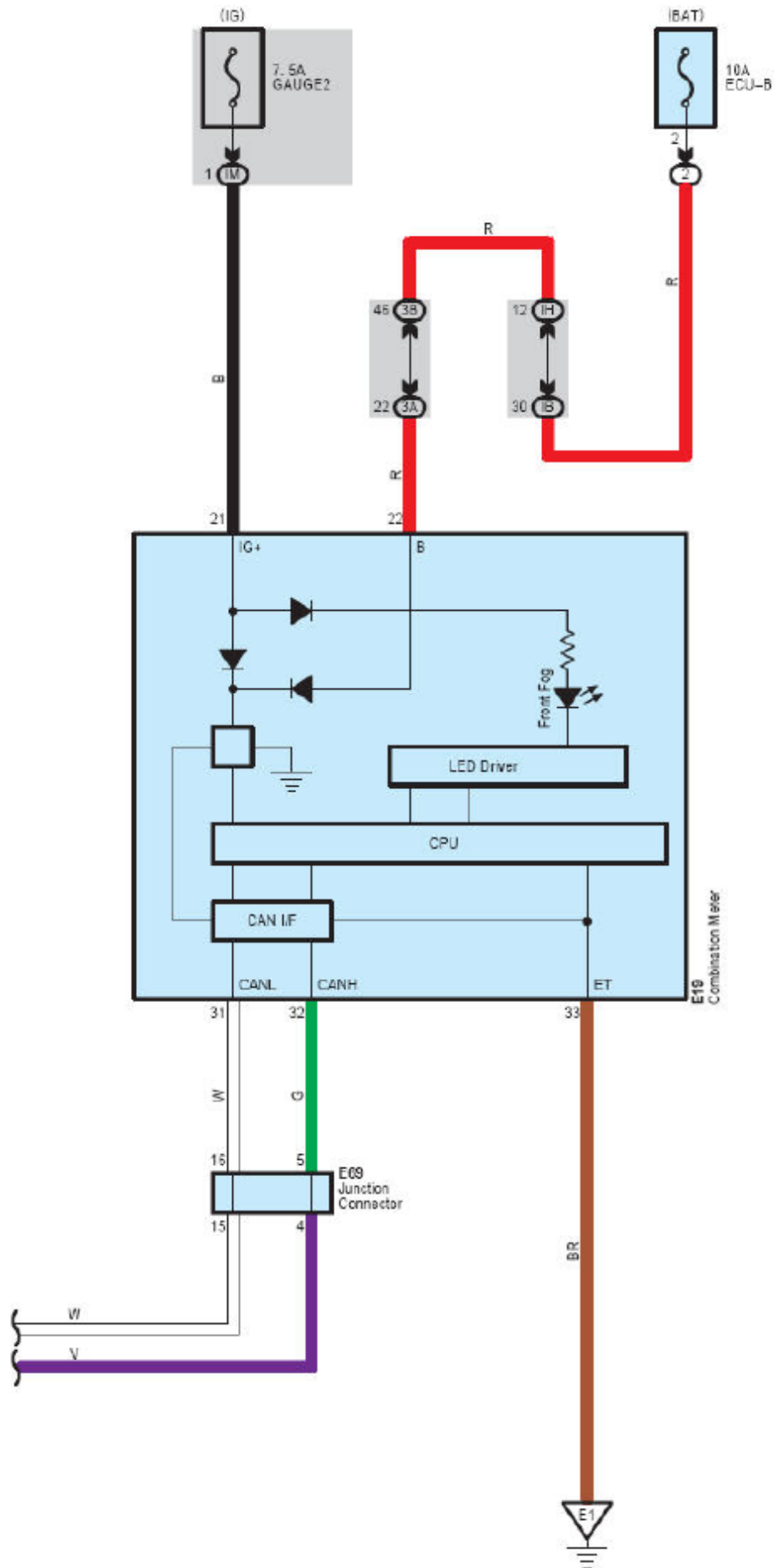


Front Fog Light





Relay Blocks

Code	Relay Blocks (Relay Block Location)
1	Engine Room R/B No.1 (Engine Compartment Left)Engine Room R/B No.1 (Engine Compartment Left)
2	Engine Room R/B No.2 (Engine Compartment Right)Engine Room R/B No.2 (Engine Compartment Right)
6	R/B No.6 (Cowl Side Left)

Junction Block and Wire Harness Connector

Code	Junction Block and Wire Harness (Connector Location)
3A	Instrument Panel Wire and J/B No.3 (Instrument Panel Center)Instrument Panel Wire and J/B No.3 (Instrument Panel Center)
3B_	
4A	Instrument Panel Wire and J/B No.4 (Instrument Panel Center)Instrument Panel Wire and J/B No.4 (Instrument Panel Center)
4B_	
IB	Engine Room Main Wire and Instrument Panel J/B (Cowl Side Left)
IE	Instrument Panel Wire and Instrument Panel J/B (Cowl Side Left)
IG	Engine Room Main Wire and Instrument Panel J/B (Cowl Side Left)
IH	Instrument Panel Wire and Instrument Panel J/B (Cowl Side Left)Instrument Panel Wire and Instrument Panel J/B (Cowl Side Left)
IJ_	
IM	

Connector Joining Wire Harness and Wire Harness

Code	Joining Wire Harness and Wire Harness (Connector Location)
AE3	Engine Room Main Wire and Instrument Panel Wire (Left Side of the Instrument Panel)

Ground Points

Code	Ground Points Location
A1	Front Left Fender
A2	
E1	Left Kick Panel
E3	Instrument Panel Reinforcement Center