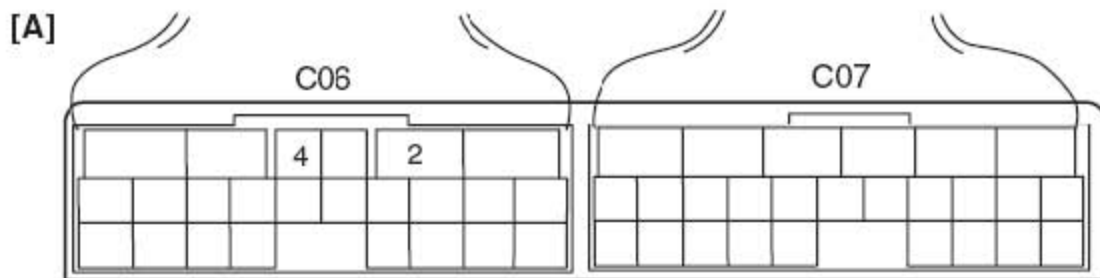
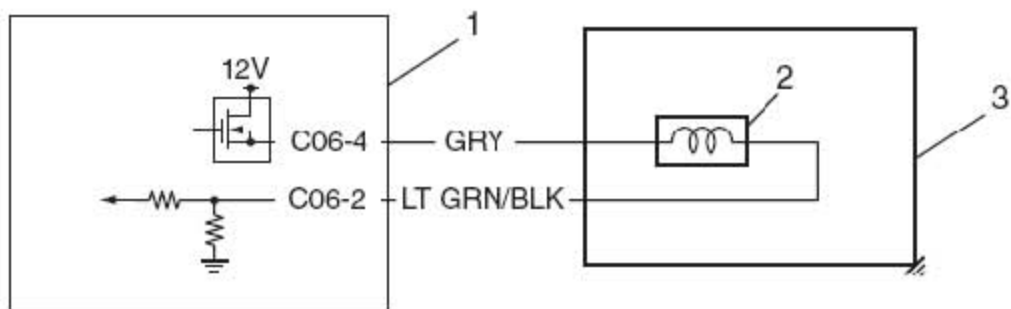


P0961: Pressure Control Solenoid “A” Control Circuit Range / Performance

Wiring Diagram



1. TCM	3. A/T
2. Pressure control solenoid valve	[A]: Terminal arrangement of TCM connector (viewed from harness side)

DTC Detecting Condition and Trouble Area

DTC detecting condition	Trouble area
Difference between actual current of control solenoid valve circuit and current of control solenoid valve circuit calculated by TCM is more than specification.	<ul style="list-style-type: none"> Malfunction of pressure control solenoid valve or its circuit malfunction TCM

DTC Confirmation Procedure

- 1) Connect scan tool to DLC with ignition switch OFF, if available.
- 2) Clear DTC in TCM memory.
- 3) Start engine.
- 4) Keep engine running at idle speed for 30 seconds or more.
- 5) Stop vehicle and check DTC.

DTC Troubleshooting

Step	Action	Yes	No
1	Was "A/T System Check" performed?	Go to Step 2.	Go to "A/T System Check".
2	<p>Check pressure control solenoid valve resistance</p> <p>1) Turn ignition switch OFF.</p> <p>2) Disconnect valve body harness connector (1), (2) on automatic transaxle.</p> <p>3) Check for proper connection to terminal of valve body harness connector at "GRY" and "LT GRN/BLK" circuit.</p> <p>4) check resistance of pressure control solenoid valve.</p> <p>Pressure control solenoid valve resistance</p> <p>Between terminals of transaxle side valve body harness connector: 5.0 – 5.6 Ω at 20 °C (68 °F)</p> <p>Between terminals of transaxle side valve body harness connector and transaxle: Infinity</p>	Go to Step 3.	Replace pressure control solenoid valve or valve body harness.

Step	Action	Yes	No
3	<p>Check for pressure control solenoid valve circuit</p> <p>1) Disconnect TCM connectors. 2) Check for proper connection to TCM at terminals "C06-2" and "C06-4". If connection is OK, check circuit for open, short, and high resistance for the following circuit.</p> <ul style="list-style-type: none"> • Between "C06-2" terminal of TCM connector and "LT GRN/BLK" terminal of valve body harness connector. • Between "C06-4" terminal of TCM connector and "GRY" terminal of valve body harness connector. <p>Are they in good condition?</p>	<p>Intermittent trouble or faulty TCM. Check for intermittent referring to "Intermittent and Poor Connection Inspection in Section 00". If OK, substitute a known-good TCM and recheck.</p>	<p>Repair "LT GRN/BLK" and/or "GRY" circuit.</p>

LAUNCH