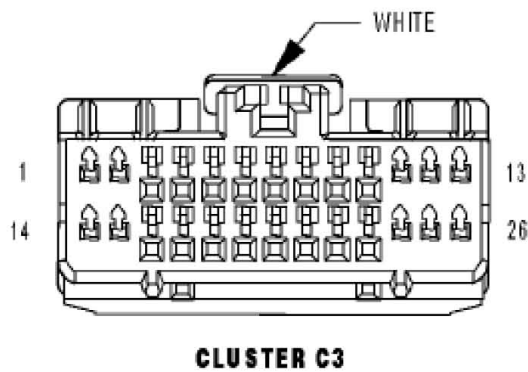
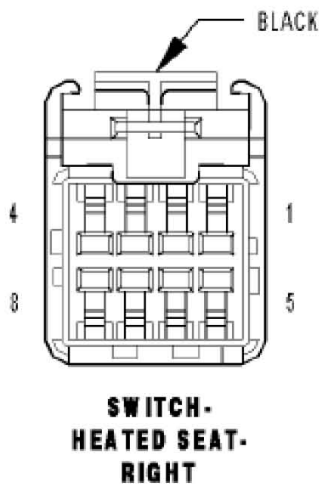
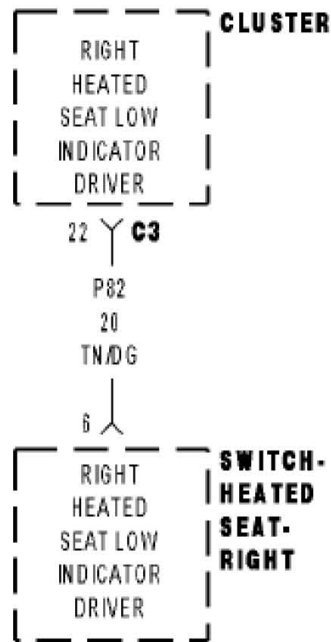


B1222 RIGHT HEATED SEAT LOW INDICATOR CONTROL CIRCUIT HIGH



- 1). When Monitored:
Continuously with the ignition on.
- 2). Set Condition:
This code is set immediately when the Cluster detects excessive voltage on the heated seat indicator control circuit.

Possible Causes
1. (P82) RIGHT HEATED SEAT LOW INDICATOR DRIVER CIRCUIT SHORTED TO BATTERY
2. RIGHT HEATED SEAT SWITCH
3. CLUSTER

Diagnostic Test

- 1). VERIFY THAT DTC B1222-RIGHT HEATED SEAT SWITCH LO INDICATOR CONTROL CIRCUIT HIGH IS ACTIVE
With the scan tool, record and erase DTC's
Operate the Heated Seat Switch in both positions several times.
With the scan tool, read DTC's.

Does the DTC B1222-RIGHT HEATED SEAT LO INDICATOR CONTROL CIRCUIT HIGH reset?

Yes >> Go To 2

No >> The conditions that caused this code to set are not present at this time. Using the wiring diagram/schematic as a guide, inspect the wiring and connectors.

Perform BODY VERIFICATION TEST – VER 1.



2). DISCONNECT THE PASSENGER HEATED SEAT SWITCH AND RE-READ DTC

Disconnect the Right Heated Seat Switch connector.

With the scan tool erase DTC's

Cycle the ignition switch off then back on.

With the scan tool, read DTC's.

Does the DTC B1222-RIGHT HEATED SEAT LO INDICATOR CONTROL CIRCUIT HIGH reset?

Yes >> Go To 3

No >> Replace the Right Heated Seat switch.

Perform BODY VERIFICATION TEST – VER 1.

3). DISCONNECT THE CLUSTER C-3 CONNECTOR AND CHECK FOR VOLTAGE

Disconnect the Cluster C-3 connector.

NOTE: Check connectors - Clean and repair as necessary.

Turn the ignition on.

Measure the voltage at the (P82) Right Heated Seat Low Indicator Driver circuit at the Cluster C-3 connector.

Is there any voltage present?

Yes >> Repair the (P82) Right Heated Seat Low Indicator Driver circuit for a short to battery.

Perform BODY VERIFICATION TEST – VER 1. (Refer to 8 - ELECTRICAL/ELECTRONIC CONTROL MODULES/ FRONT CONTROL MODULE - DIAGNOSIS AND TESTING)

No >> Replace the Cluster in accordance with the Service Information.

Perform BODY VERIFICATION TEST – VER 1.

