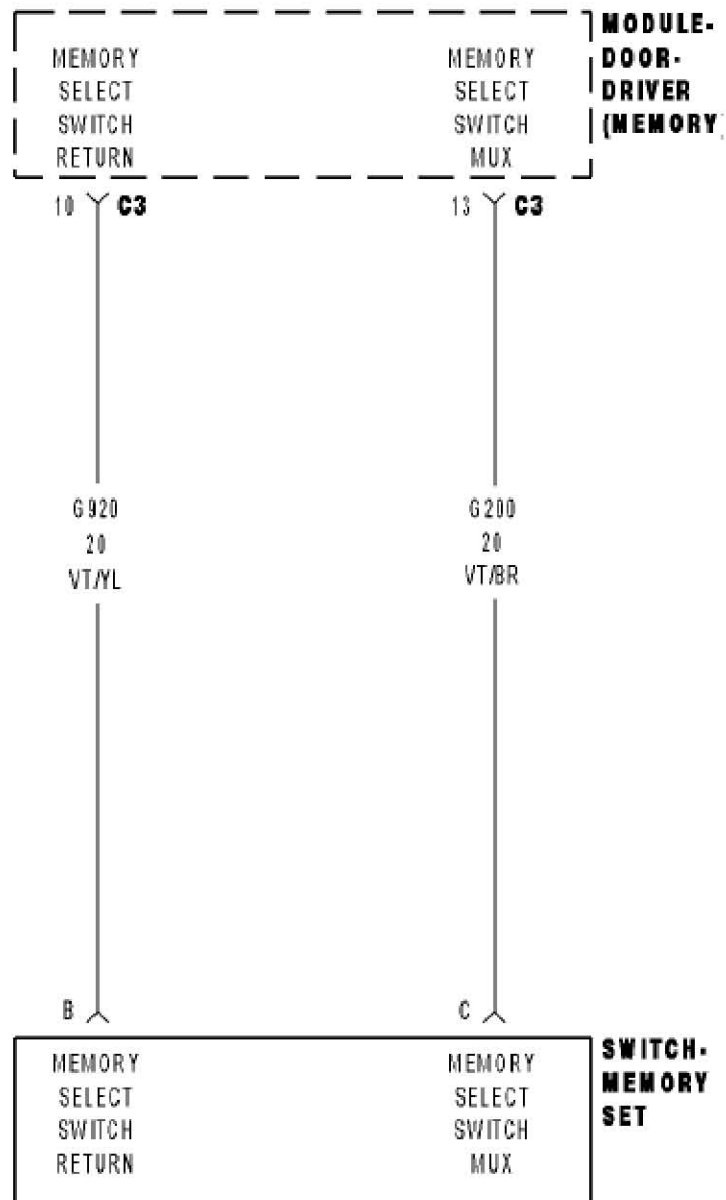
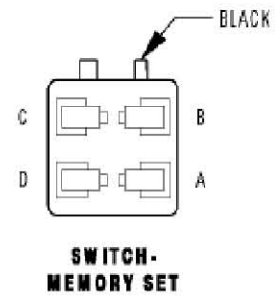
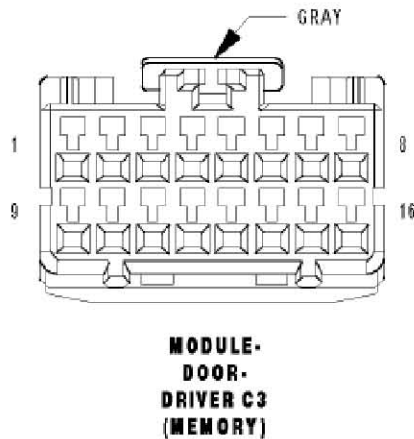


B1D4D MEMORY SWITCH INPUT CIRCUIT STUCK – DOOR MODULE





- 1). When Monitored:
Continuously
- 2). Set Condition:
When the Memory Select Switch Mux is under 2.6 volts for over 30 seconds.

Possible Causes

1. (P200) MEMORY SELECT SWITCH MUX WIRE PARTIAL SHORT TO GROUND
2. (P200) MEMORY SELECT SWITCH MUX CIRCUIT SHORTED TO THE (G920) MEMORY SELECT SWITCH RETURN CIRCUIT
3. MEMORY SET SWITCH
4. DRIVER DOOR MODULE

Diagnostic Test

- 1). TEST FOR INTERMITTENT CONDITION
Turn the ignition on.
With the scan tool, record and erase DTC's
Operate the Mirror Switch in all directions several times.
Cycle the ignition from on to off 3 times.
Turn the ignition on.
With the scan tool, read DTC's.

Does the scan tool display MEMORY SWITCH INPUT CIRCUIT STUCK?

Yes >> Go To 2

No >> The conditions that caused this code to set are not present at this time.
Using the wiring diagram/schematics as a guide, inspect the wiring and connectors.

2). MEMORY SELECTOR SWITCH SHORTED TO GROUND

With the scan tool, erase DTC's.

Disconnect the Memory Set Switch connector.

Turn the ignition on.

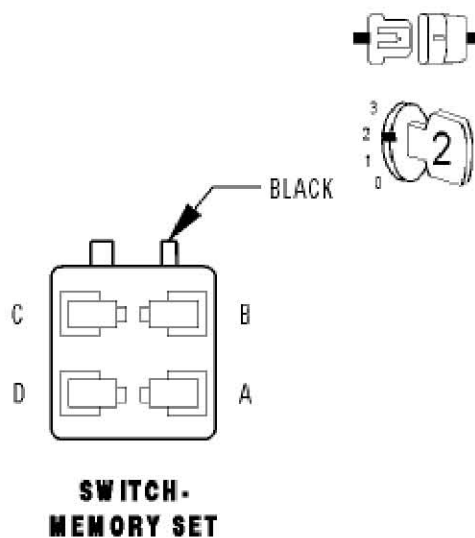
With the scan tool, read DTC's.

Does the scan tool display MEMORY SWITCH INPUT CIRCUIT STUCK?

No >> Replace the Memory Set Switch.

Perform BODY VERIFICATION TEST - VER 1.

Yes >> Go to 3



3). (P200) MEMORY SELECT SWITCH MUX CIRCUIT SHORT TO THE GROUND

Disconnect the Driver Door Module C3 connector.

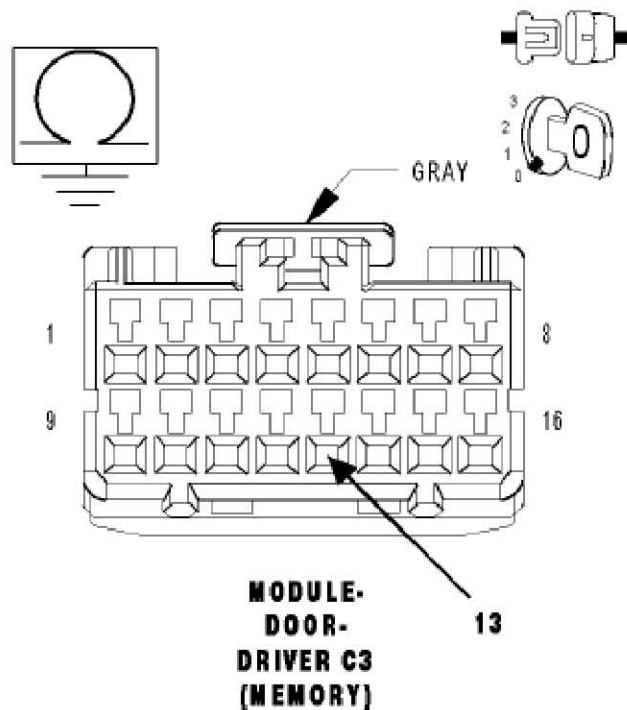
Measure the resistance between ground and the (P200) Memory Select Switch Mux circuit.

Is the resistance below 10000.0 ohms?

Yes >> Repair the Memory Select Switch Mux wire for a short to ground.

Perform the BODY VERIFICATION TEST - VER 1.

No >> Go to 4



- 4). (P200) MEMORY SELECT SWITCH MUX CIRCUIT SHORT TO THE (G920) MEMORY SELECT SWITCH RETURN CIRCUIT
 Measure the resistance between the (P200) Memory Select Switch Mux circuit and the (G920) Memory Select Switch Return circuit in the Driver Door Module C3 connector.

Is the resistance below 10000.0 ohms?

- Yes** >> Repair the (P200) Memory Select Switch Mux circuit for a short to the (G920) Memory Select Switch return circuit.
 Perform BODY VERIFICATION TEST - VER 1.
- No** >> Replace the Driver Door Module.
 Perform BODY VERIFICATION TEST - VER 1.

