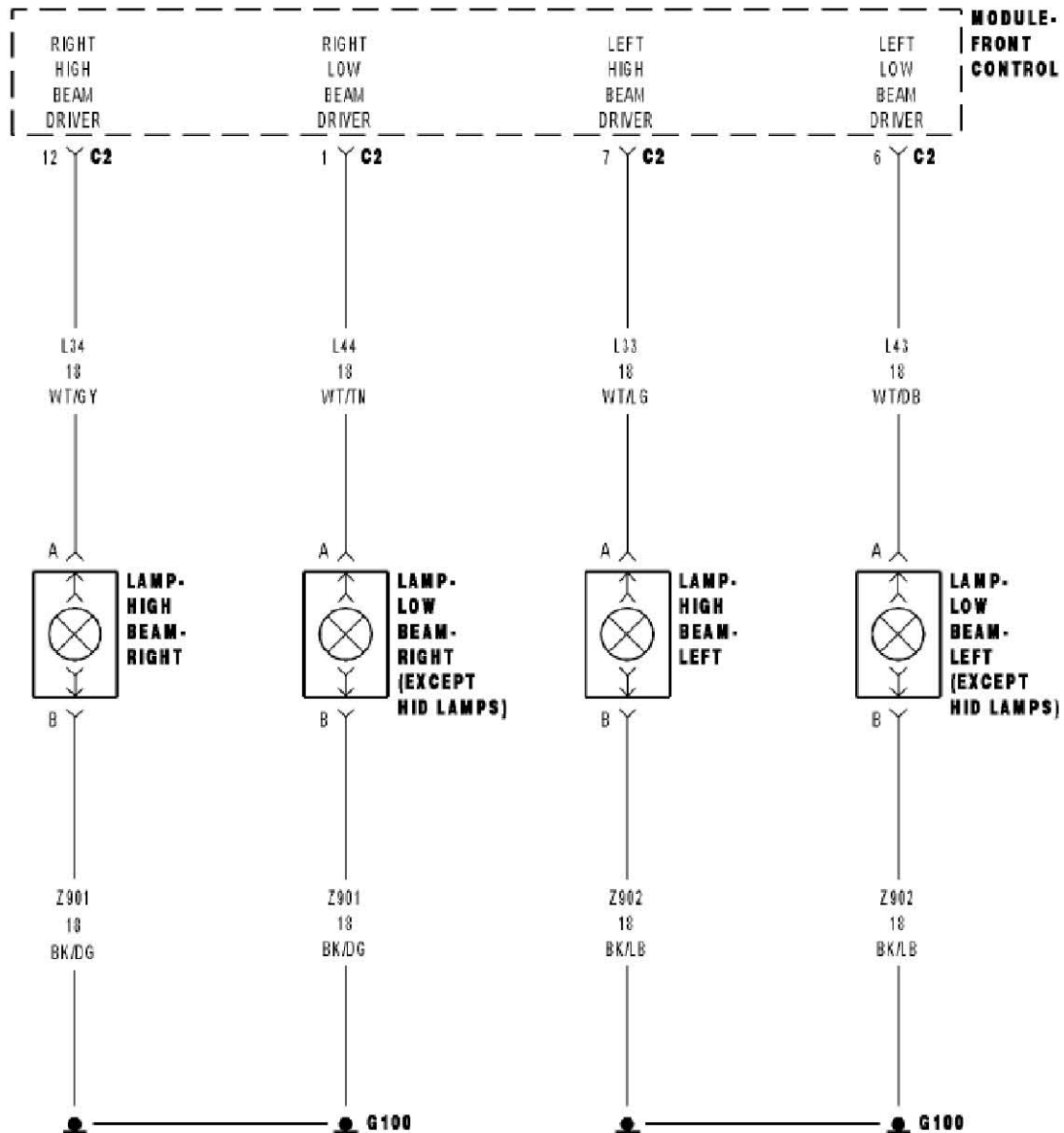
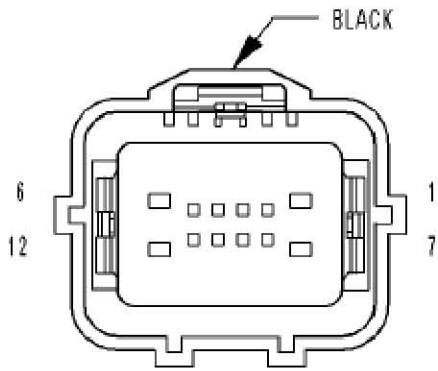
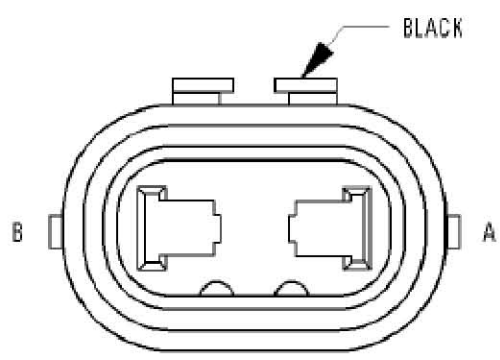


B162F RIGHT LOW BEAM CONTROL CIRCUIT LOW

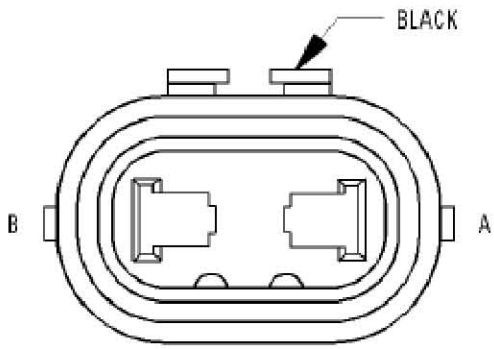




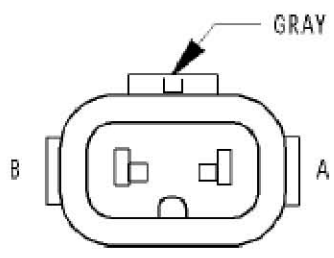
**MODULE-
FRONT
CONTROL C2**



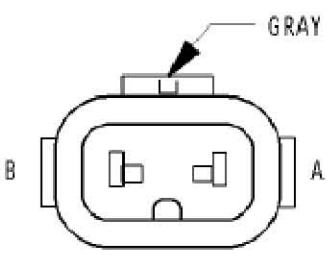
**LAMP-
HIGH BEAM-
LEFT**



**LAMP-
HIGH BEAM-
RIGHT**



**LAMP-LOW
BEAM-
LEFT
(EXCEPT HID LAMPS)**



**LAMP-LOW
BEAM-
RIGHT
(EXCEPT HID LAMPS)**

- 1). When Monitored:
With the Headlamps activated.
- 2). Set Condition:
When the FCM detects a LOW condition.

Possible Causes
1. (L44) RIGHT LOW BEAM CONTROL CIRCUIT
2. FRONT CONTROL MODULE

Diagnostic Test

1). INTERMITTENT CONDITION

- Turn the ignition on.
- With the Scan Tool, clear all FCM DTC's.
- Turn the Headlamps on.
- With the Scan Tool read the DTC information.

Does the Scan Tool read: B162F-RIGHT LOW BEAM CONTROL CIRCUIT LOW?

Yes >> Go To 2

No >> The condition that caused the symptom is currently not present. Inspect the related wiring for a possible intermittent condition. Look for any chafed, pierced, pinched, or partially broken wires.
Perform the BODY VERIFICATION TEST - VER 1.

2). (L44) RIGHT LOW BEAM CONTROL CIRCUIT

- Turn the ignition off.
- Disconnect the FCM C2 harness connector.
- Measure the resistance between ground and the (L44) Right Low Beam Control circuit.

Is the resistance below 5.0 ohms?

Yes >> Replace the Front Control Module (FCM) in accordance with the service information.

Perform the BODY VERIFICATION TEST - VER 1.

No >> Repair the (L44) Right Low Beam Control circuit for a short to ground condition.

Perform the BODY VERIFICATION TEST - VER 1.

