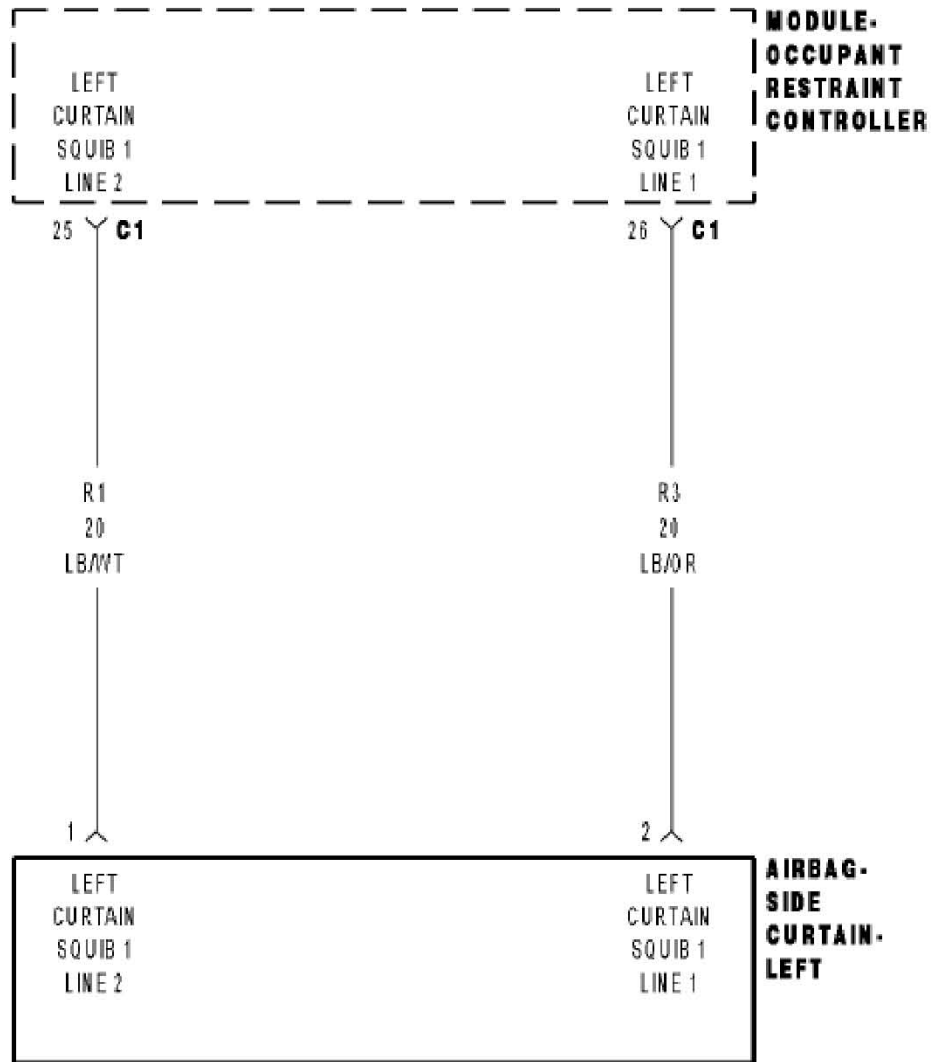
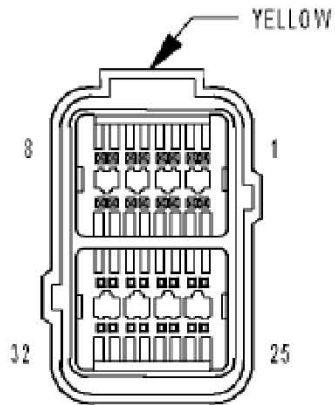
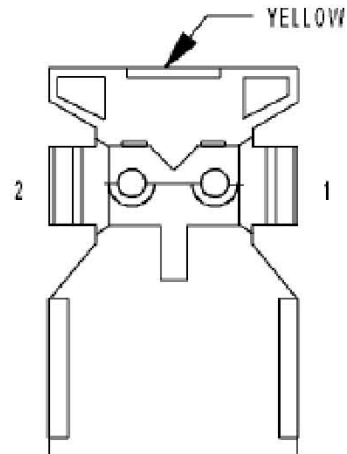


B1B19 LEFT SIDE CURTAIN SQUIB 1 CIRCUIT HIGH





**MODULE-
OCCUPANT
RESTRAINT
CONTROLLER C1**



**AIRBAG-
SIDE CURTAIN-
LEFT**

- 1). When Monitored:
With the ignition on, the Occupant Restraint Controller (ORC) monitors the resistance of the Left Curtain Squib 1 circuits.
- 2). Set Condition:
The ORC has detected voltage on the Left Curtain Squib 1 circuits.

Possible Causes

1. (R3) LEFT CURTAIN SQUIB 1 LINE 1 CIRCUIT OR (R1) LEFT CURTAIN SQUIB 1 LINE 2 CIRCUIT SHORTED TO BATTERY
2. LEFT SIDE CURTAIN AIRBAG
3. ORC

Diagnostic Test

- 1). DETERMINE ACTIVE OR STORED DTC
NOTE: Ensure the battery is fully charged.
NOTE: The scan tool, SRS Airbag Load Tool MRL 8443, and DVOM are required to perform the following test.
NOTE: When reconnecting airbag system components the Ignition must be turned off and the Battery must be disconnected.
 Select Active or Stored DTC.
 Is the DTC active or stored?
 ORC - ACTIVE DTC
 Go To 2
 ORC - STORED DTC
 Go To 5

2). CHECK FOR SHORTED SQUIB CIRCUITS IN PASSENGER AIRBAG

WARNING: To avoid personal injury or death, turn the ignition off, disconnect the battery and wait two minutes before proceeding.

Disconnect the Driver Airbag Squib connectors.

WARNING: To avoid personal injury or death, do not place an intact undeployed airbag face down on a hard surface, the airbag will propel into the air if accidentally deployed.

NOTE: Check connectors - Clean and repair as necessary.

Connect the 8443 Load Tool and appropriate Jumper to the Driver Airbag Squib connectors.

WARNING: To avoid personal injury or death, turn the ignition on, then reconnect the battery.

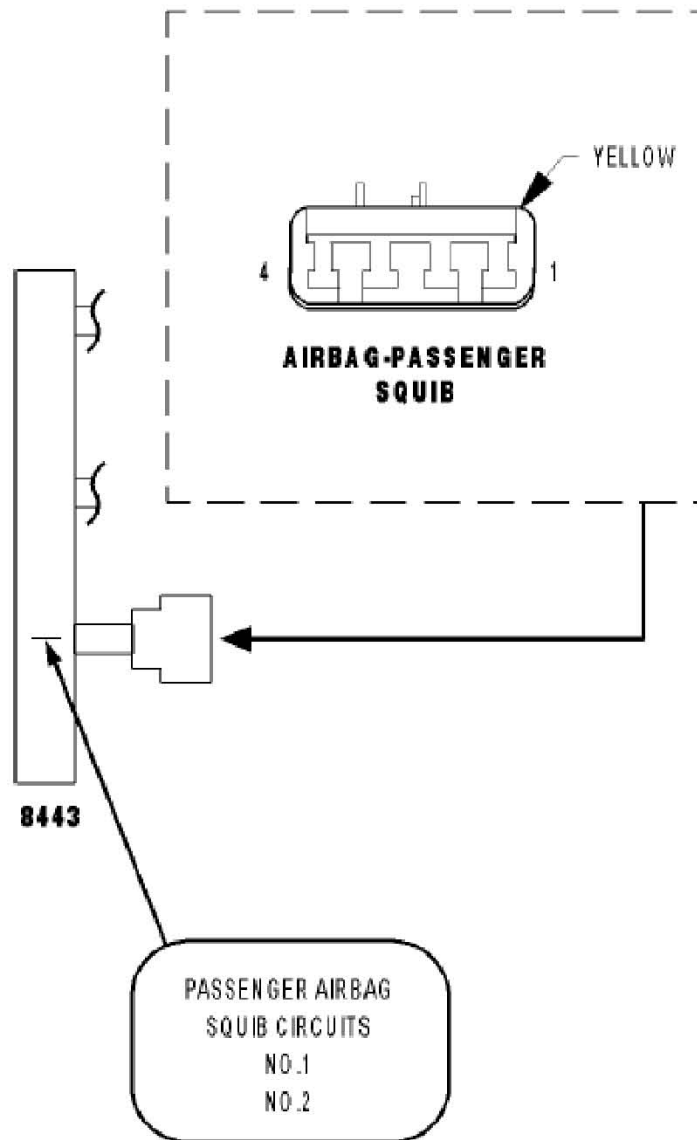
With the scan tool, read the active ORC DTC's.

Does the scan tool display: B1B19 LEFT SIDE CURTAIN SQUIB
1 CIRCUIT HIGH?

Yes >> Go To 3

No >> Replace the Left Side Curtain Airbag in accordance with the Service Information.

Perform ORC VERIFICATION TEST - VER 1



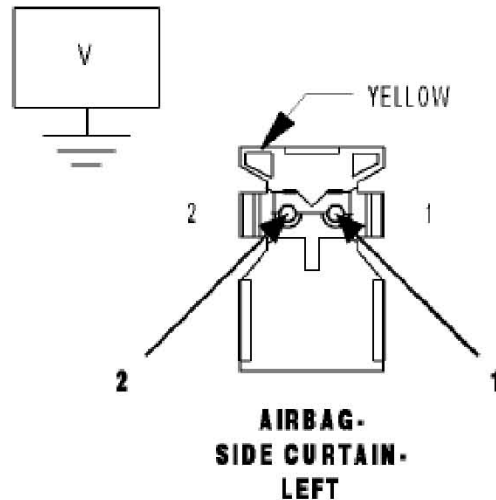
- 3). CHECK (R3) LEFT CURTAIN SQUIB 1 LINE 1 CIRCUIT AND (R1) LEFT CURTAIN SQUIB 1 LINE 2 CIRCUIT FOR A SHORT TO BATTERY
WARNING: To avoid personal injury or death, turn the ignition off, disconnect the battery and wait two minutes before proceeding.
 Disconnect the 8443 Load Tool and Jumper from the Left Side Curtain Airbag connector.
 Disconnect the ORC connectors.
NOTE: Check connectors - Clean and repair as necessary.
 Connect the 8443 Load Tool ORC Adaptor to the ORC C1 connector.
 Measure the resistance of the (R3) Left Curtain Squib 1 Line 1 circuit between ground and the Left Side Curtain Airbag connector.
 Measure the resistance of the (R1) Left Curtain Squib 1 Line 2 circuit between ground and the Left Side Curtain Airbag connector.

Is there any voltage present on either circuit?

Yes >> Repair the Left Curtain Squib 1 circuits with voltage present for a short to battery.

Perform ORC VERIFICATION TEST - VER 1

No >> Go To 4



4). REPLACE THE ORC

WARNING: If the Occupant Restraint Controller (ORC) is dropped at any time, it must be replaced. Failure to take the proper precautions can result in accidental airbag deployment and personal injury or death.

NOTE: When reconnecting airbag system components the Ignition must be turned off and the Battery must be disconnected.

View Repair

Repair

Replace the ORC in accordance with the Service Information.

Perform ORC VERIFICATION TEST - VER 1

5). STORED ORC DTC

With the scan tool, record and erase all DTC's from all Airbag System Modules.

If any ACTIVE codes are present they must be resolved before diagnosing any stored codes.

WARNING: To avoid personal injury or death, turn the ignition off, disconnect the battery and wait two minutes before proceeding.

Using the wiring diagram/schematic as a guide, inspect the wiring and connectors.

Look for chaffed, pierced, pinched, or partially broken wires and broken, bent, pushed out, spread, corroded, or contaminated terminals.

The following additional checks may assist you in identifying a possible intermittent problem.

Reconnect any disconnected components and harness connector.

WARNING: To avoid personal injury or death, turn the ignition on, then reconnect the battery.

With the scan tool monitor active codes as you work through the following steps.

Wiggle the wiring harness and connectors of the related airbag circuit or component.

If codes are related to the Driver Airbag circuits, rotate the steering wheel from stop to stop.

If only stored codes return continue the test until the problem area has been isolated.

In the previous steps you have attempted to recreate the conditions responsible for setting active DTC in question.

Are any ACTIVE DTCs present?

Yes >> Select the appropriate diagnostic procedure from the Table of Contents in this section.

No >> No problem found at this time. Erase all codes before returning vehicle to customer.