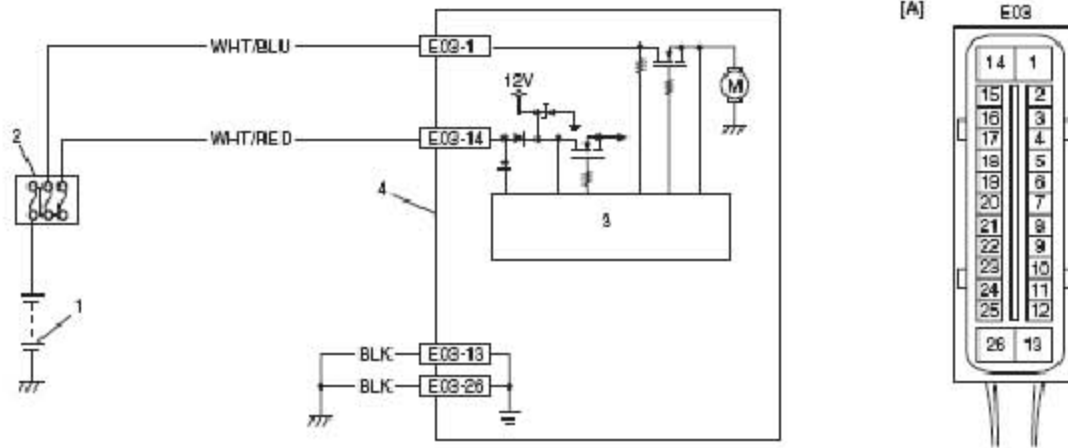


# DTC C1071: ABS Control Module

## Wiring Diagram



[A]: ABS hydraulic unit / control module connector (viewed from terminal side)	2. Main fuse box	4. ABS hydraulic unit / control module assembly
1. Battery	3. ABS power control module	

## DTC Detecting Condition

This DTC will be set when an internal malfunction is detected in the ABS control module.

## DTC Troubleshooting

Step	Action	Yes	No
1	Was "ABS Check" performed?	Go to Step 2.	Go to "ABS Check".
2	Clear all DTCs and check DTC. Is it DTC C1071?	Go to Step 3.	Could be a temporary malfunction of the ABS control module.
3	<p>1) Check for proper connection of ABS hydraulic unit / control module connector.</p> <p>2) If OK, disconnect ABS hydraulic unit / control module connector and check the following.</p> <ul style="list-style-type: none"> <li>• Voltage "E03-1" terminal: 10 – 14 V</li> <li>• Voltage "E03-14" terminal: 10 – 14 V</li> <li>• Resistance between "E03-13" and body ground: Continuity</li> <li>• Resistance between "E03-26" and body ground: Continuity</li> </ul> <p>Are the check result as specified?</p>	Replace ABS hydraulic unit / control module assembly.	Repair "WHT/RED", "WHT/BLU" and/or "BLK" circuit and recheck.