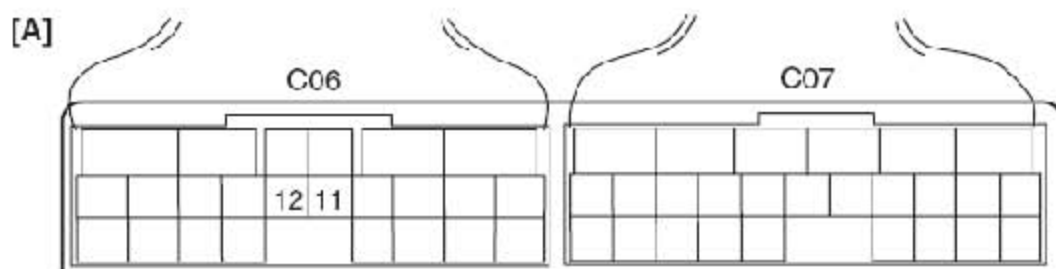
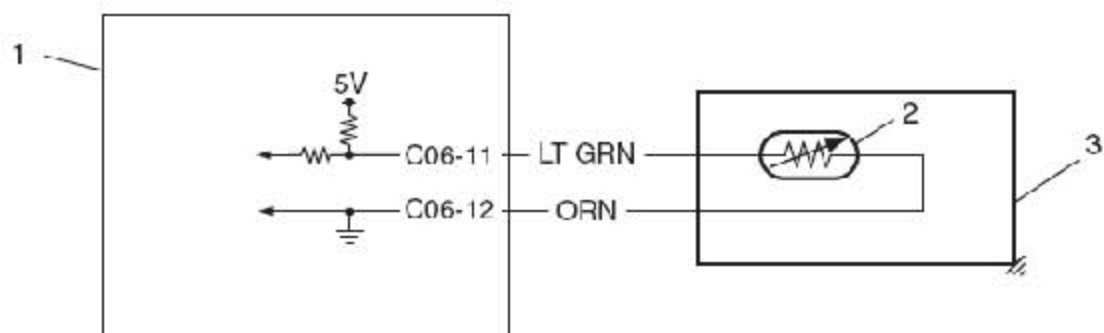


P0713: Transmission Fluid Temperature Sensor Circuit High

Wiring Diagram



1. TCM	3. A/T
2. Transmission fluid temperature sensor	[A]: Terminal arrangement of TCM connector (viewed from harness side)

DTC Detecting Condition and Trouble Area

DTC detecting condition	Trouble area
Transmission fluid temperature sensor terminal voltage is more than specified value even though engine was running in "R", "D", "3", "2" or "L" range for 12 minutes after starting engine.	<ul style="list-style-type: none"> • Transmission fluid temperature sensor or its circuit malfunction •TCM

DTC Confirmation Procedure

- 1) Connect scan tool to DLC with ignition switch OFF, if available.
- 2) Clear DTC in TCM memory and start engine.
- 3) Increase engine coolant temperature to about 50 °C (122 °F) and more.
- 4) Start vehicle and increase vehicle speed to about 20 km/h (12 mile/h) for 10 minutes or more.
- 5) Stop vehicle and check DTC.

DTC Troubleshooting

Step	Action	Yes	No
1	Was "A/T System Check" performed?	Go to Step 2.	Go to "A/T System Check".
2	Check transmission fluid temperature circuit for open 1) Turn ignition switch OFF. 2) Disconnect TCM connectors from TCM. 3) Check for proper connection to transmission fluid temperature sensor at terminals "C06-11" and "C06-12". 4) If OK, check continuity between terminals "C06-11" and "C06-12" of disconnected harness side TCM connector. Is continuity indicated?	Go to Step 3.	"LT GRN" or "ORN" circuit open.
3	Check transmission fluid temperature circuit for IG short 1) Cool down A/T fluid temperature under ambient temperature. 2) Connect TCM connectors to TCM with ignition switch OFF. 3) Turn ignition switch ON. 4) Measure voltage between terminal "C06-11" of TCM connector and ground. Is it 4.6 V or more?	"LT GRN" circuit shorted to power circuit. If circuit is OK, go to Step 4.	Intermittent trouble or faulty TCM. Check for intermittent referring to "Intermittent and Poor Connection Inspection in Section 00". If OK, substitute a known-good TCM and recheck.

Step	Action	Yes	No
4	<p>Inspect transmission fluid temperature sensor</p> <p>1) Inspect transmission fluid temperature sensor referring to "Transmission Fluid Temperature Sensor Inspection".</p> <p>Is result satisfactory?</p>	<p>Intermittent trouble or faulty TCM.</p> <p>Check for intermittent referring to "Intermittent and Poor Connection Inspection in Section 00".</p> <p>If OK, substitute a known-good TCM and recheck.</p>	<p>Replace transmission fluid temperature sensor.</p>

LAUNCH