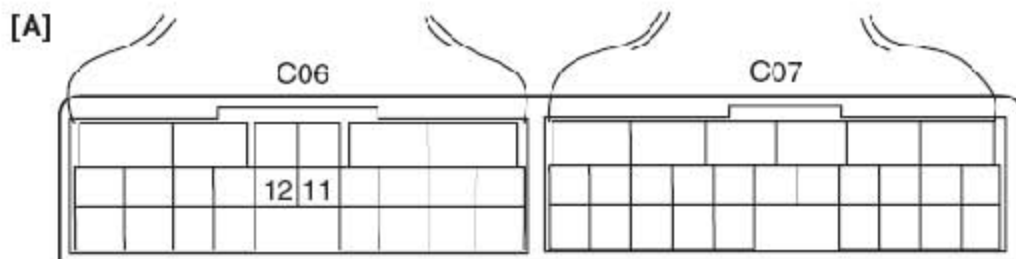
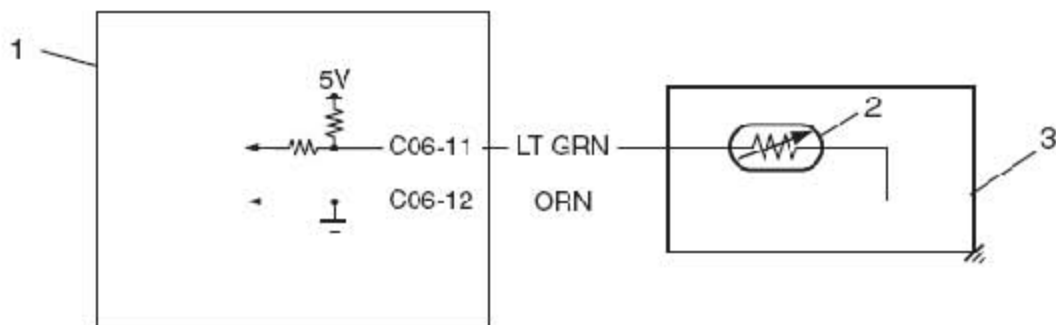


# P0711: Transmission Fluid Temperature Sensor “A” Control Range / Performance

## Wiring Diagram



1. TCM	3. A/T
2. Transmission fluid temperature sensor	[A]: Terminal arrangement of TCM connector (viewed from harness side)

## DTC Detecting Condition and Trouble Area

DTC detecting condition	Trouble area
Transmission temperature sensor signal is no change and less than 20 °C (68 °F) while vehicle is running at 40 km/h (25 mile/h) or more in vehicle speed for 10 minutes or more.	<ul style="list-style-type: none"> <li>• Transmission fluid temperature sensor or its circuit malfunction</li> <li>• TCM</li> </ul>

**DTC Confirmation Procedure**

- 1) Connect scan tool to DLC with ignition switch OFF, if available.
- 2) Clear DTC in TCM memory.
- 3) Start engine.
- 4) Start vehicle and increase vehicle speed to 40 km/h (25 mile/h) for 10 minutes or more.
- 5) Stop vehicle and check DTC.

**DTC Troubleshooting**

Step	Action	Yes	No
1	Was "A/T System Check" performed?	Go to Step 2.	Go to "A/T System Check".
2	<b>Inspect transmission fluid temperature sensor</b> 1) Inspect transmission fluid temperature sensor referring to "Transmission Fluid Temperature Sensor Inspection". Is result satisfactory?	Go to Step 3	Replace transmission fluid temperature sensor.
3	<b>Check for transmission fluid temperature sensor circuit</b> 1) Turn ignition switch to OFF position. 2) Disconnect valve body harness connector and TCM connectors. 3) Check for proper connection to TCM at terminals "C06-11" and "C06-12". If connection is OK, check circuit for open, short and high resistance for the following circuit. • Between "C06-11" terminal of TCM connector and "LT GRN" terminal of valve body harness connector. • Between "C06-12" terminal of TCM connector and "ORN" terminal of valve body harness connector. Are they in good condition?	Intermittent trouble or faulty TCM. Check for intermittent referring to "Intermittent and Poor Connection Inspection in Section 00". If OK, substitute a known-good TCM and recheck.	Repair "LT GRN" and/or "ORN" circuit.