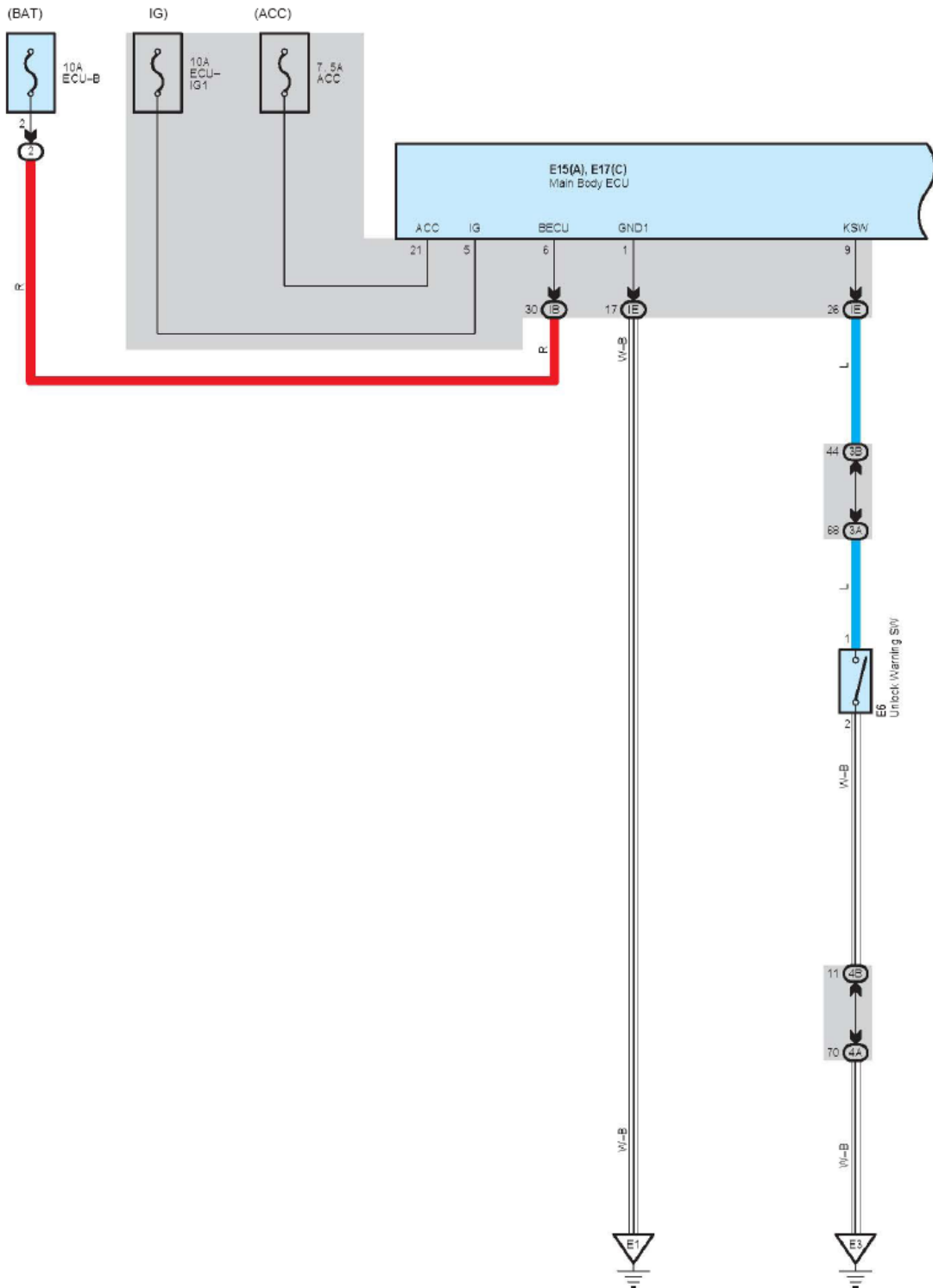
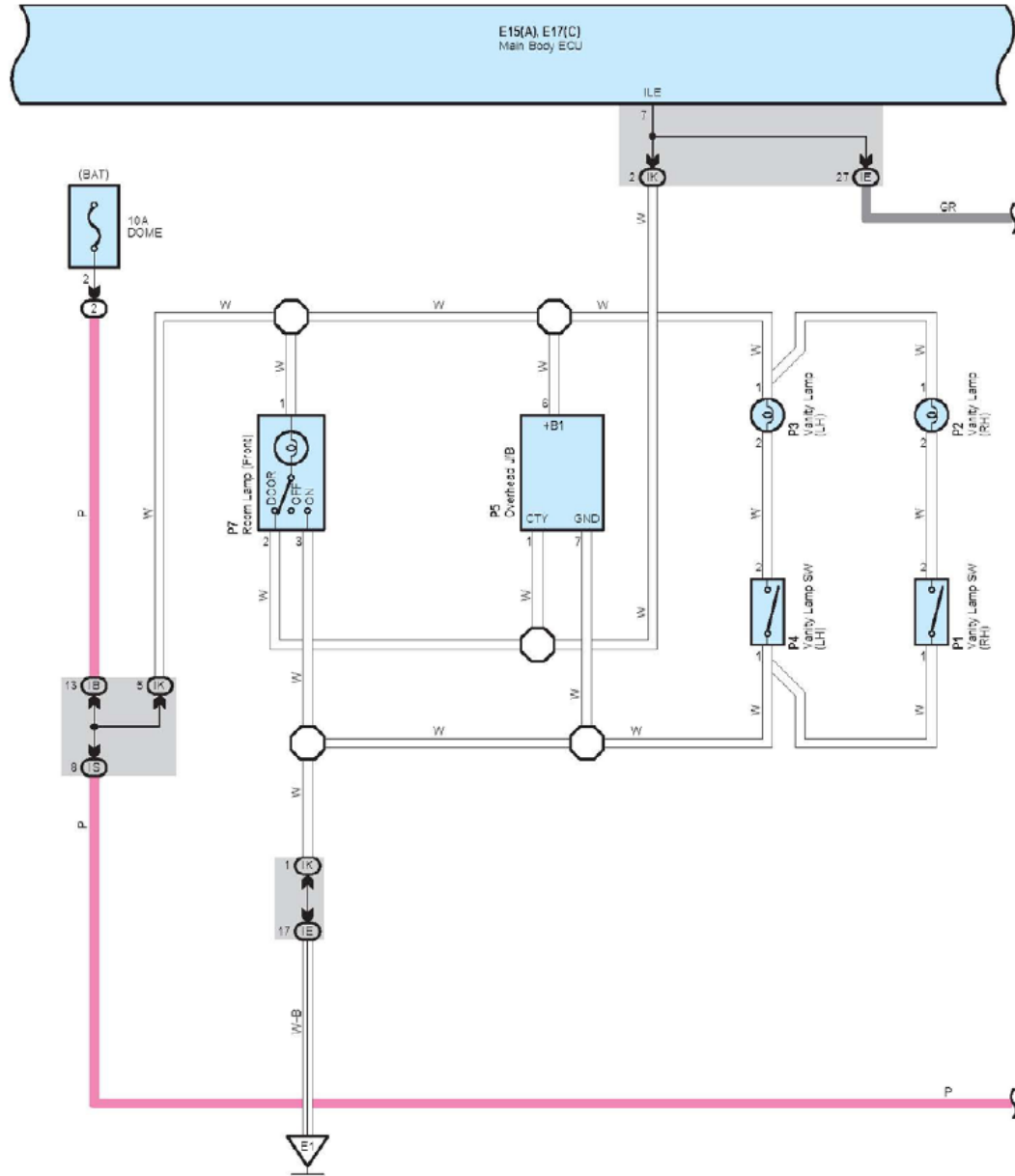


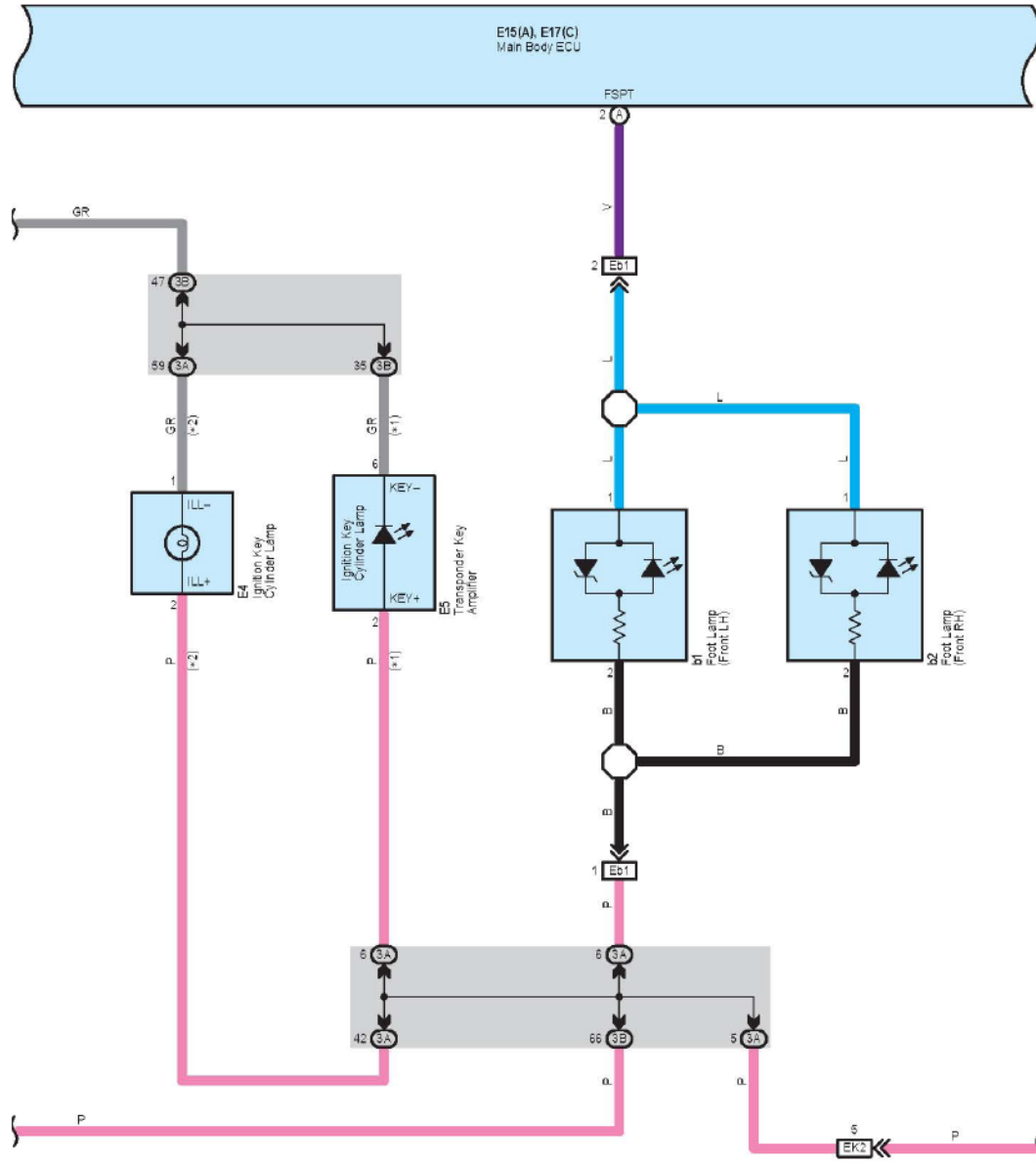
Interior Light

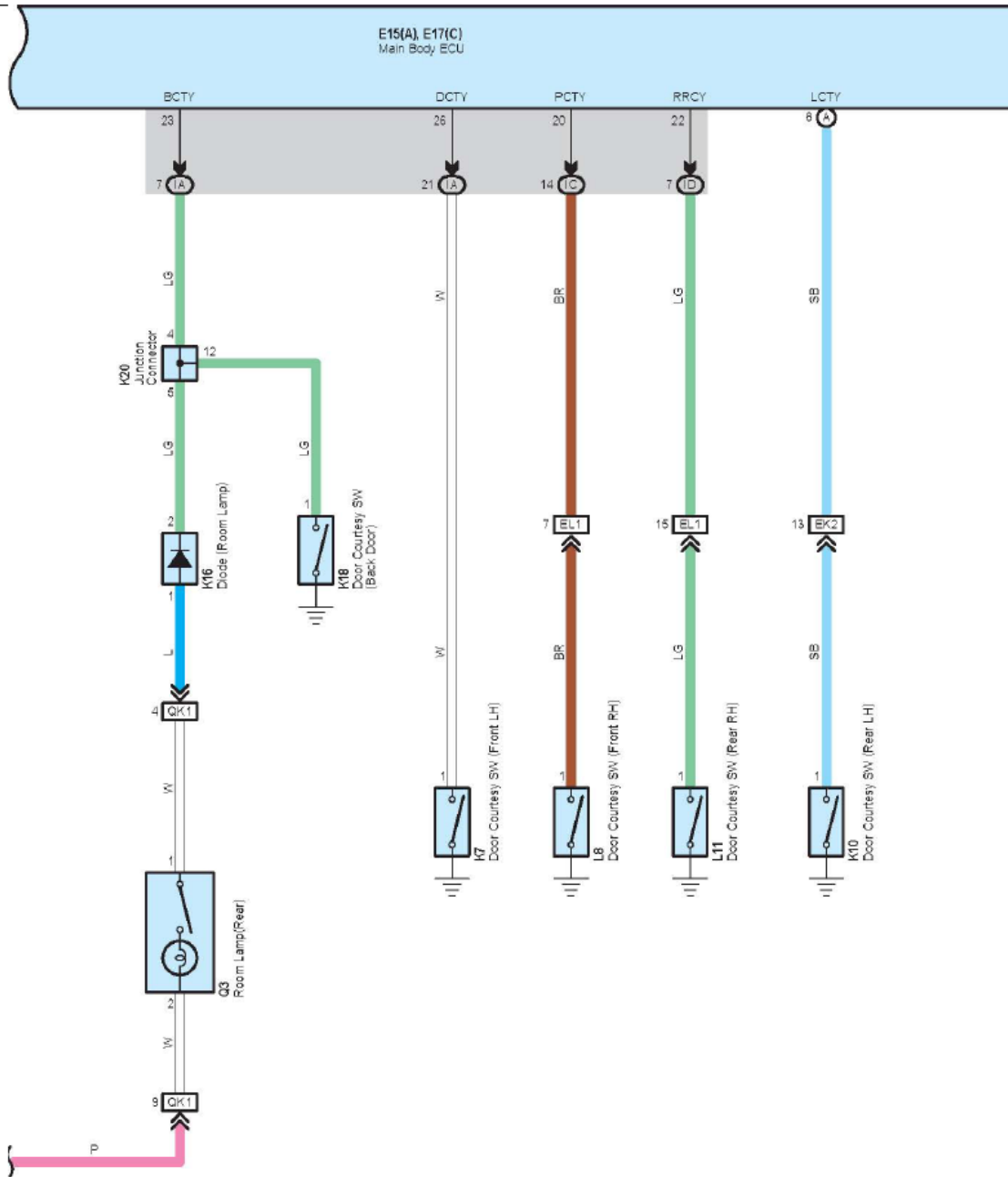


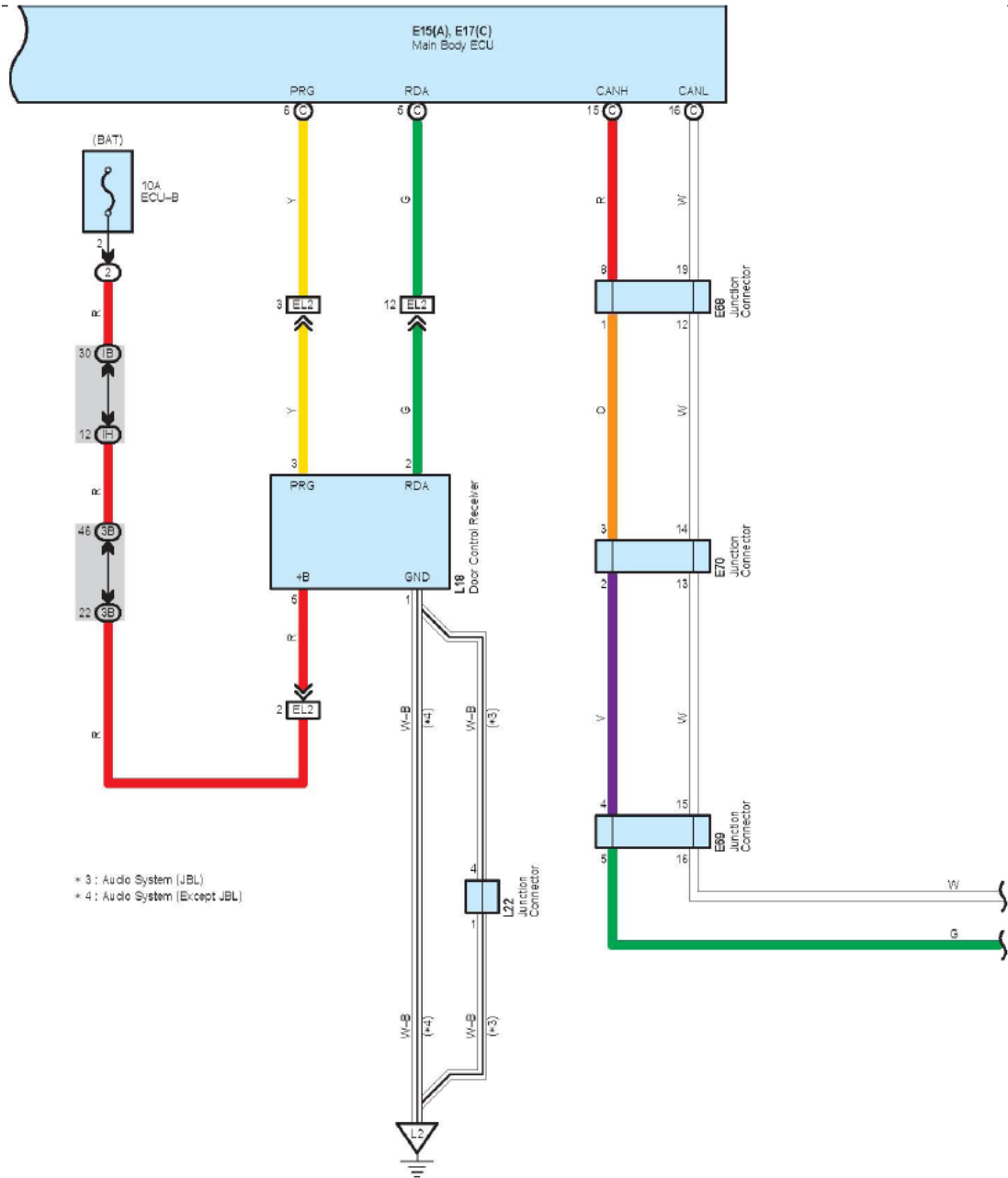


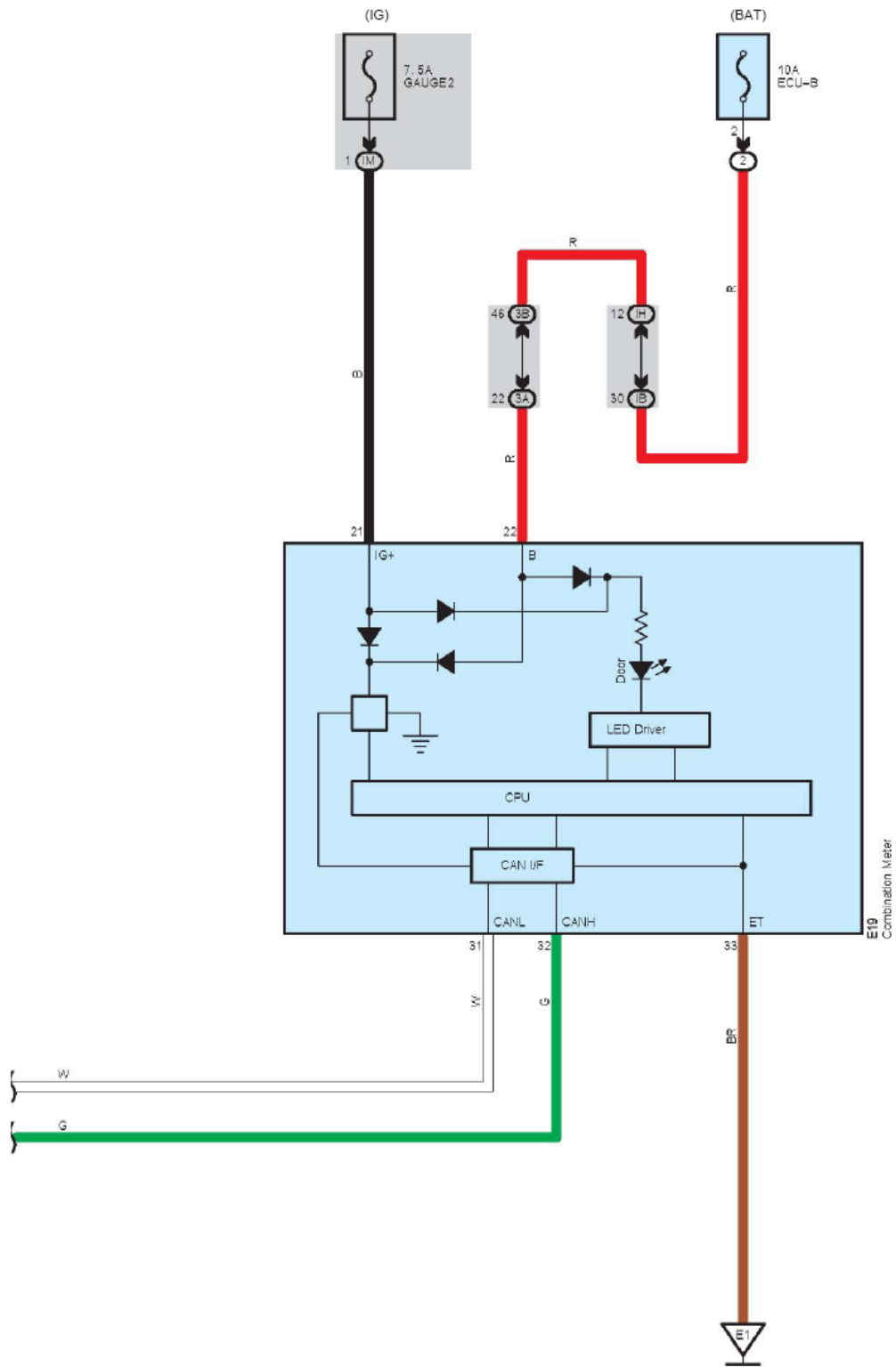
Interior Light

- * 1 : w/ Engine Immobiliser System
- * 2 : w/o Engine Immobiliser System









Relay Blocks

Code	Relay Blocks (Relay Block Location)
2	Engine Room R/B No.2 (Engine Compartment Right)Engine Room R/B No.2 (Engine Compartment Right)

Junction Block and Wire Harness Connector

Code	Junction Block and Wire Harness (Connector Location)
3A	Instrument Panel Wire and J/B No.3 (Instrument Panel Center)Instrument Panel Wire and J/B No.3 (Instrument Panel Center)
3B _	
4A	Instrument Panel Wire and J/B No.4 (Instrument Panel Center)Instrument Panel Wire and J/B No.4 (Instrument Panel Center)
4B _	
IA	Floor Wire and Instrument Panel J/B (Cowl Side Left)
IB	Engine Room Main Wire and Instrument Panel J/B (Cowl Side Left)
IC	Instrument Panel Wire and Instrument Panel J/B (Cowl Side Left)Instrument Panel Wire and Instrument Panel J/B (Cowl Side Left)
ID _	
IE _	
IH _	
IK	Roof Wire and Instrument Panel J/B (Cowl Side Left)
IM	Instrument Panel Wire and Instrument Panel J/B (Cowl Side Left)Instrument Panel Wire and Instrument Panel J/B (Cowl Side Left)
IS _	

Connector Joining Wire Harness and Wire Harness

Code	Joining Wire Harness and Wire Harness (Connector Location)
EK2	Instrument Panel Wire and Floor Wire (Left Kick Panel)
EL1	Instrument Panel Wire and Floor No.2 Wire (Right Kick Panel)Instrument Panel Wire and Floor No.2 Wire (Right Kick Panel)
EL2 _	
Eb1	Instrument Panel Wire and Illumination Wire (Instrument Panel Brace RH)
QK1	Back Door No.1 Wire and Floor Wire (Right Rear Quarter Panel)

Ground Points

Code	Ground Points Location
E1	Left Kick Panel
E3	Instrument Panel Reinforcement Center
L2	Right Quarter Panel