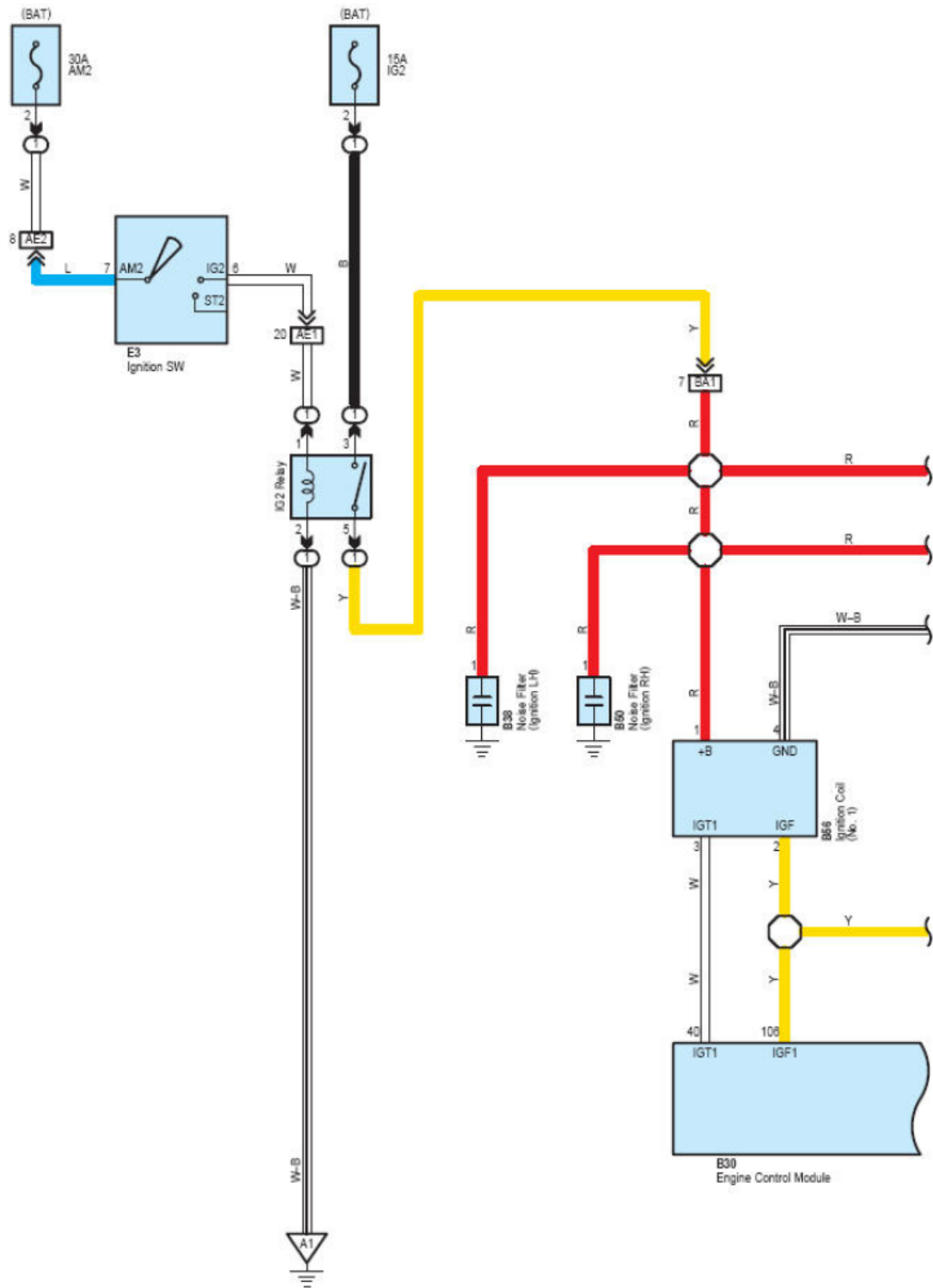
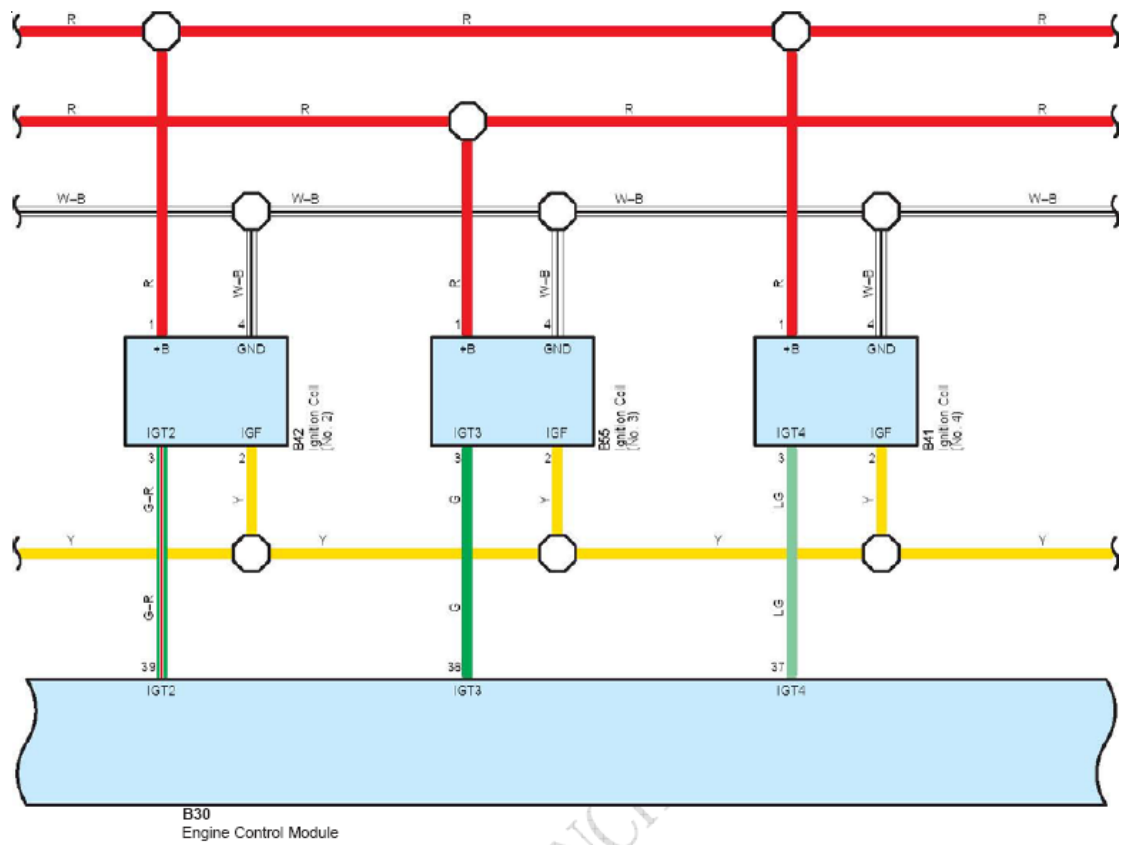


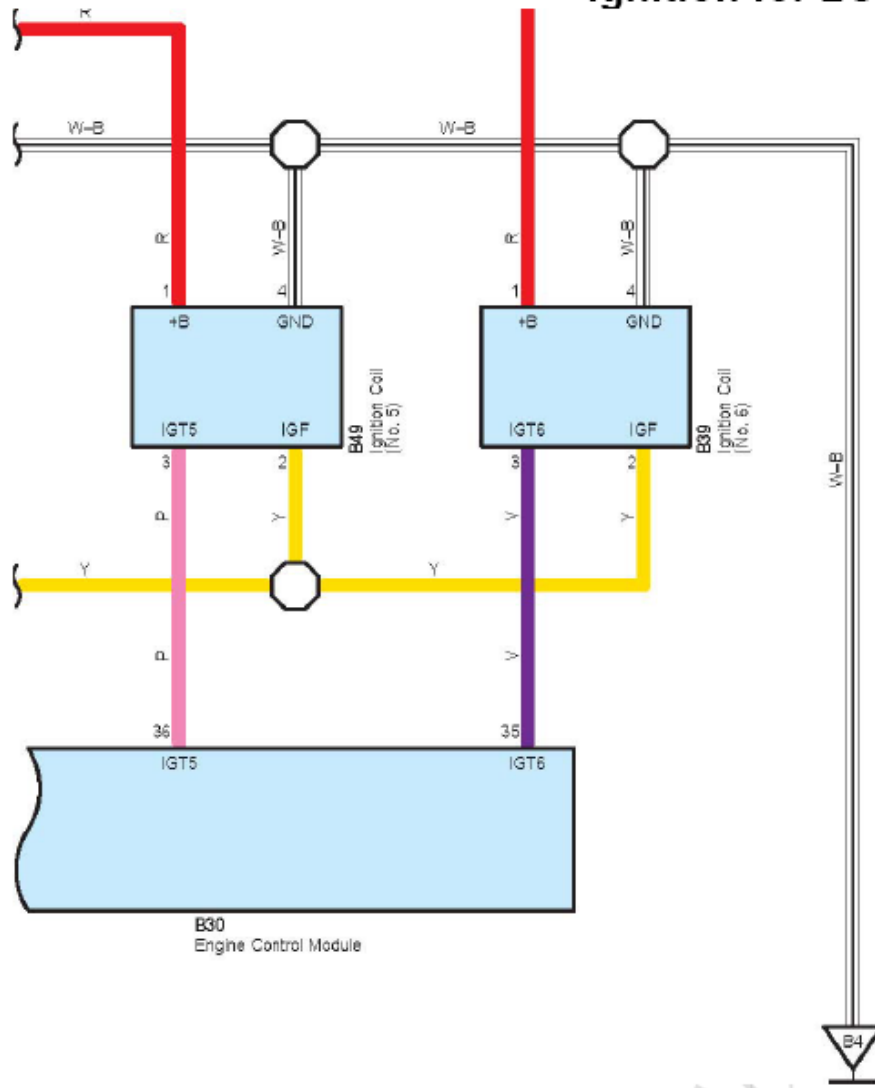
Ignition for 2GR-FE





LAUNCH

Ignition for 2GR-FE



Relay Blocks

Code	Relay Blocks (Relay Block Location)
1	Engine Room R/B No.1 (Engine Compartment Left)

Connector Joining Wire Harness and Wire Harness

Code	Joining Wire Harness and Wire Harness (Connector Location)
AE1	Engine Room Main Wire and Instrument Panel Wire (Left Side of the Instrument Panel)Engine Room
AE2_	Main Wire and Instrument Panel Wire (Left Side of the Instrument Panel)
BA1	Engine Wire and Engine Room Main Wire (Inside of the Engine Room R/B No.1 and Engine Room J/B No.1)

Ground Points

Code	Ground Points Location
A1	Front Left Fender
B4	Left Side of the Cylinder Head

LAUNCH