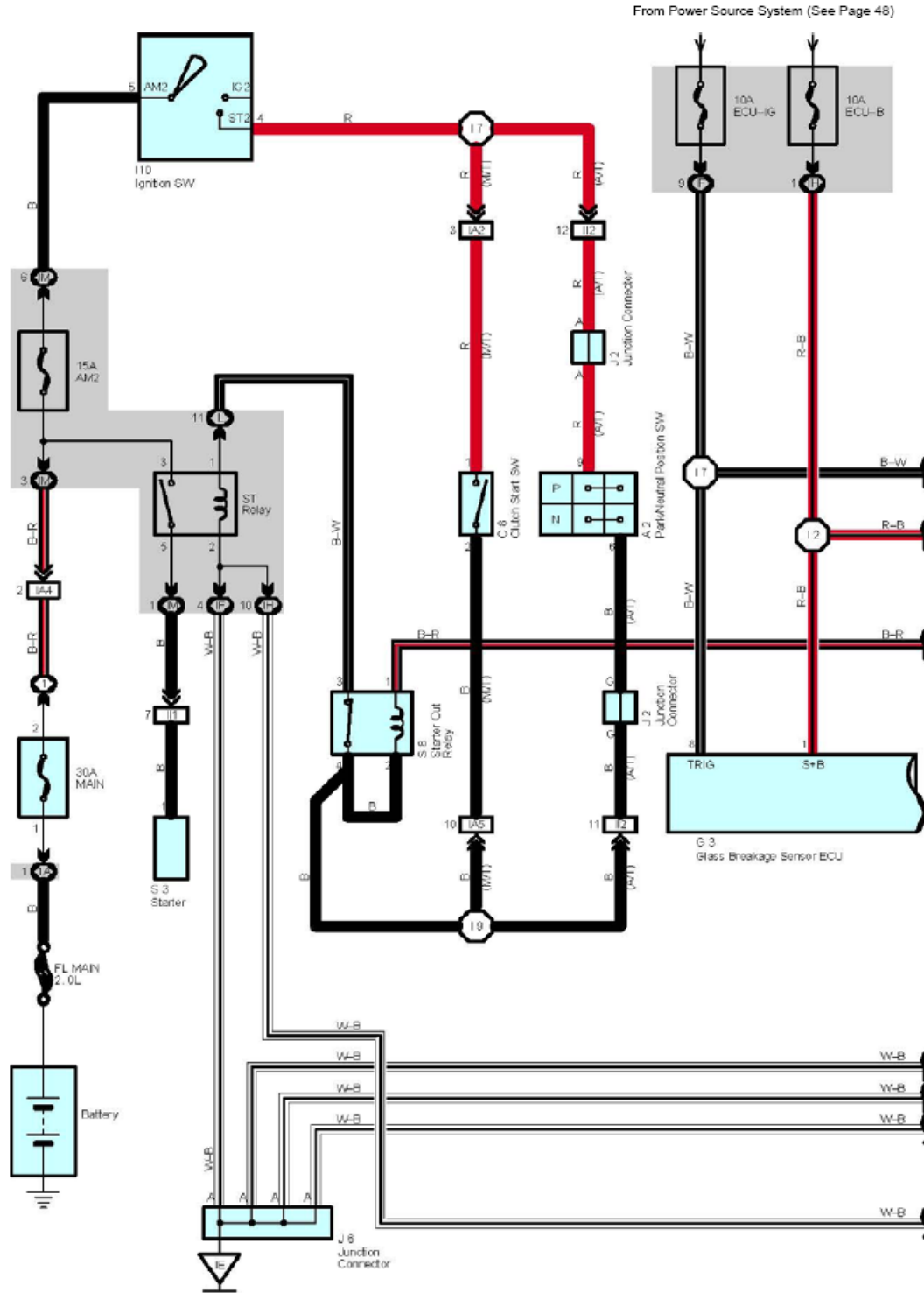
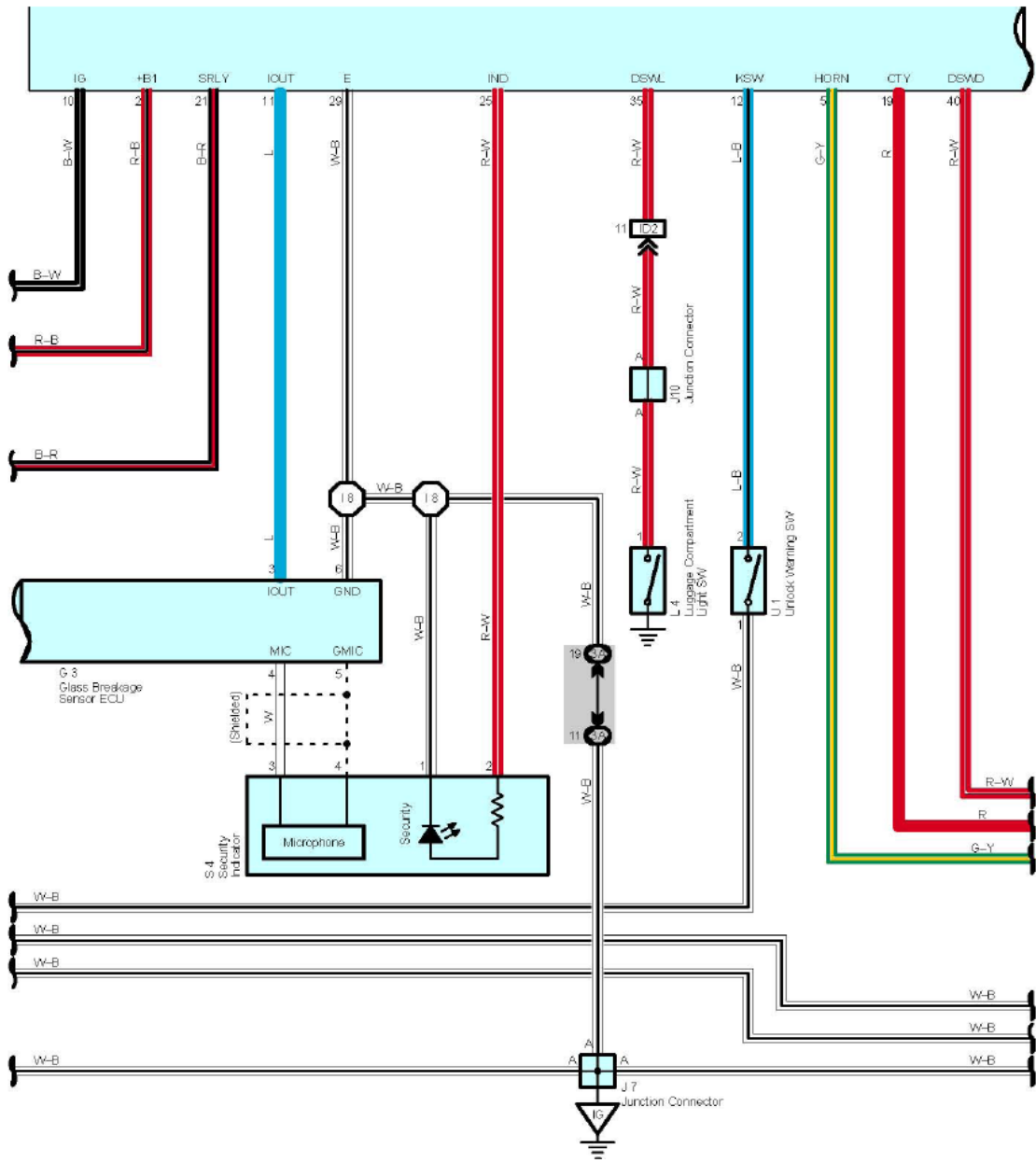


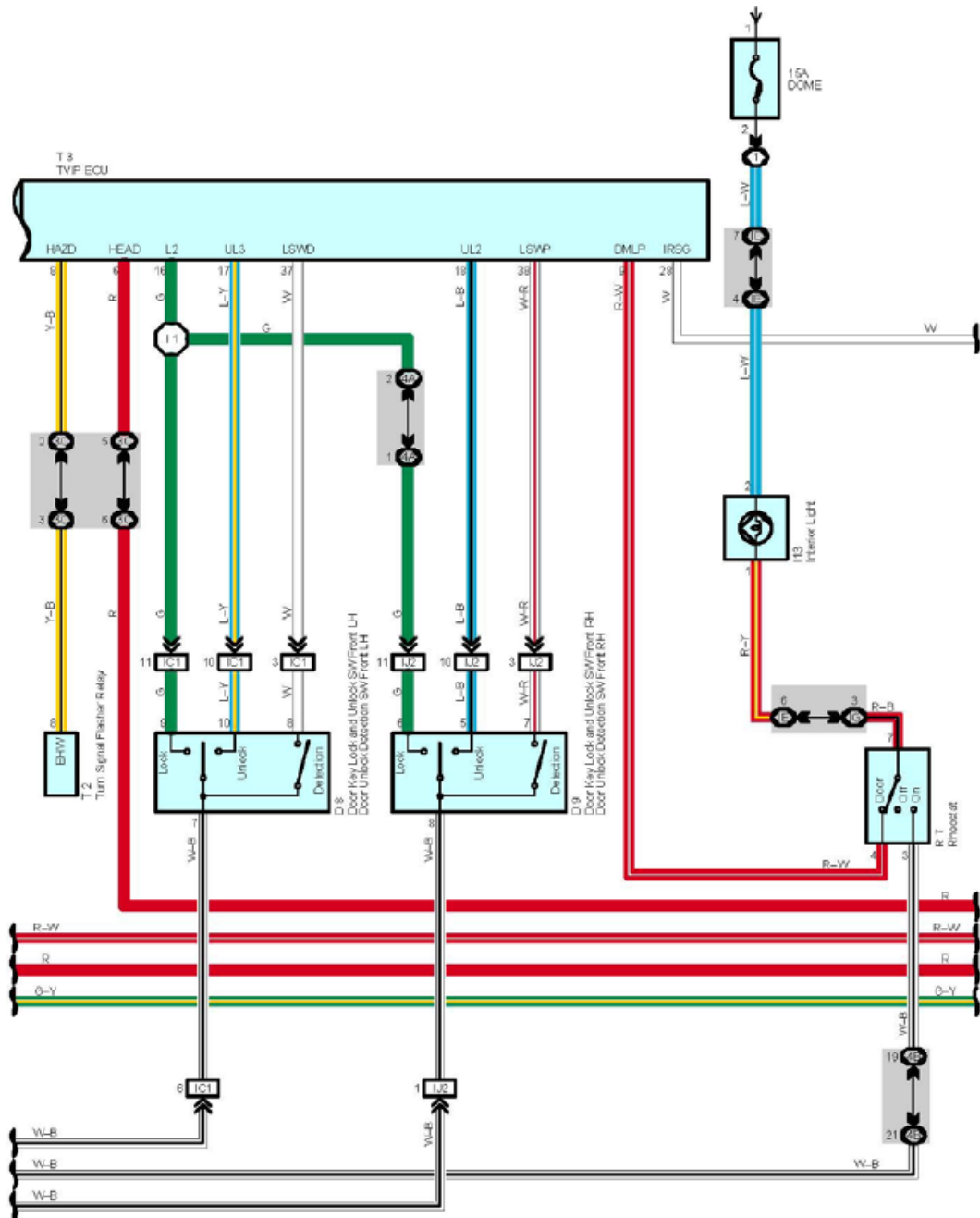
TVIP System

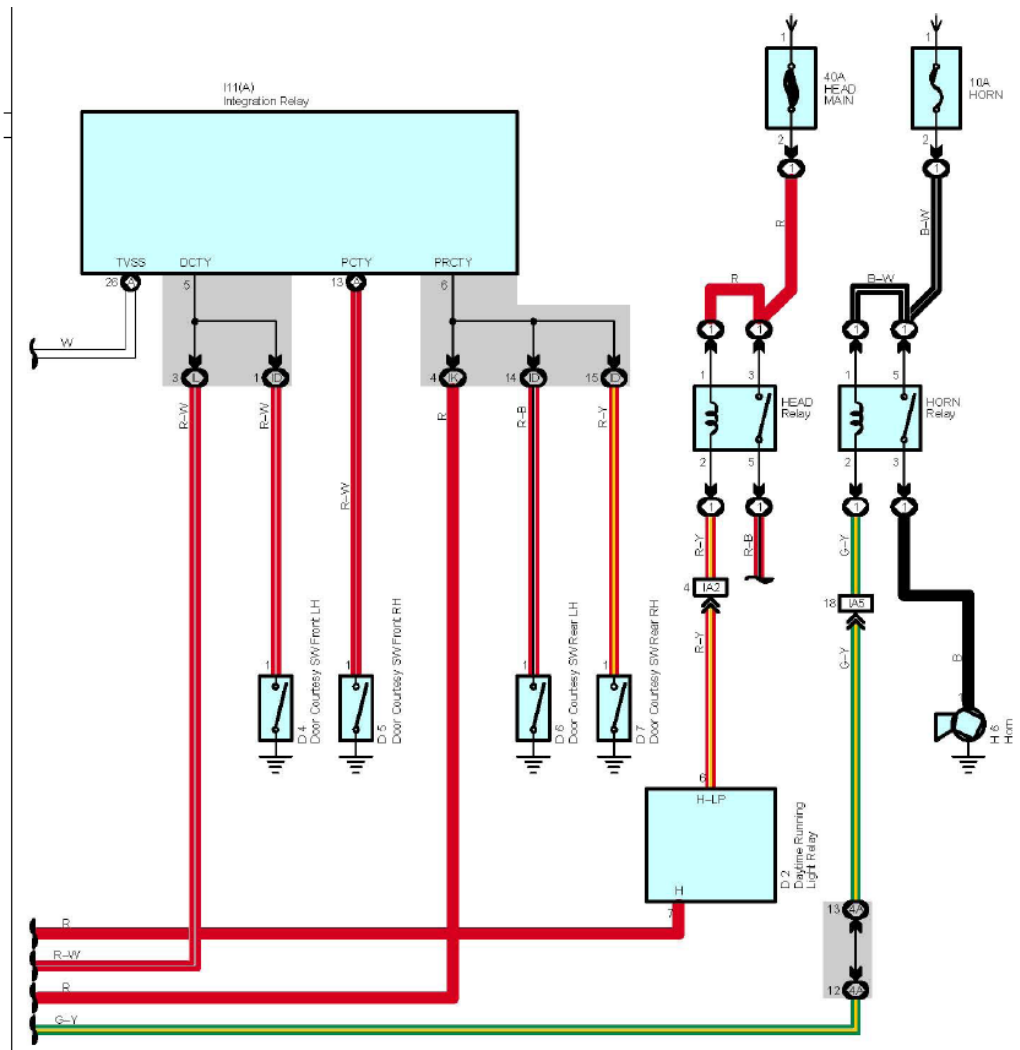


T 3
TVIP ECU



From Power Source System (See Page 48)





4

Code	Relay Blocks (Relay Block Location)
1	Engine Room R/B (Engine Compartment Left)

Junction Block and Wire Harness Connector

Code	Junction Block and Wire Harness (Connector Location)
IC	Engine Room Main Wire and Instrument Panel J/B (Lower Finish Panel)
ID	Floor Wire and Instrument Panel J/B (Lower Finish Panel)
IE	Roof Wire and Instrument Panel J/B (Lower Finish Panel)
IF	
IG _	
IH _	Instrument Panel Wire and Instrument Panel J/B (Lower Finish Panel) Instrument Panel Wire and Instrument Panel J/B (Lower Finish Panel)
IK	
IL _	
IM _	
1A	Engine Wire and Engine Room J/B (Engine Compartment Left)
3A	Instrument Panel Wire and RH J/B (Right Side of the Instrument Panel Reinforcement) Instrument Panel Wire and RH J/B (Right Side of the Instrument Panel Reinforcement)
3C _	
4A	Instrument Panel Wire and Center J/B (Behind the Combination Meter) Instrument Panel Wire and Center J/B (Behind the Combination Meter)
4B _	

Connector Joining Wire Harness and Wire Harness

Code	Joining Wire Harness and Wire Harness (Connector Location)
IA2	Engine Room Main Wire and Instrument Panel Wire (Left Side of the Instrument Panel Reinforcement)g ()
IA4_	
IA5_	
IC1	Front Door LH Wire and Instrument Panel Wire (Left Kick Panel)
ID2	Instrument Panel Wire and Floor Wire (Left Kick Panel)
II1	Engine Wire and Instrument Panel Wire (Blower Unit RH) Engine Wire and Instrument Panel Wire (Blower Unit RH)
II2_	
IJ2	Front Door RH Wire and Instrument Panel Wire (Right Kick Panel)

Ground Points : Splice Points

Code	Ground Points Location
IE	Behind the Combination Meter
IG	Right Kick Panel

Code	See Page	Wire Harness with Splice Points	Wire Harness with Splice Points
I1	Instrument Panel Wire	I9	Instrument Panel Wire Instrument Panel Wire
I2_42			
I7			

LAUNCH