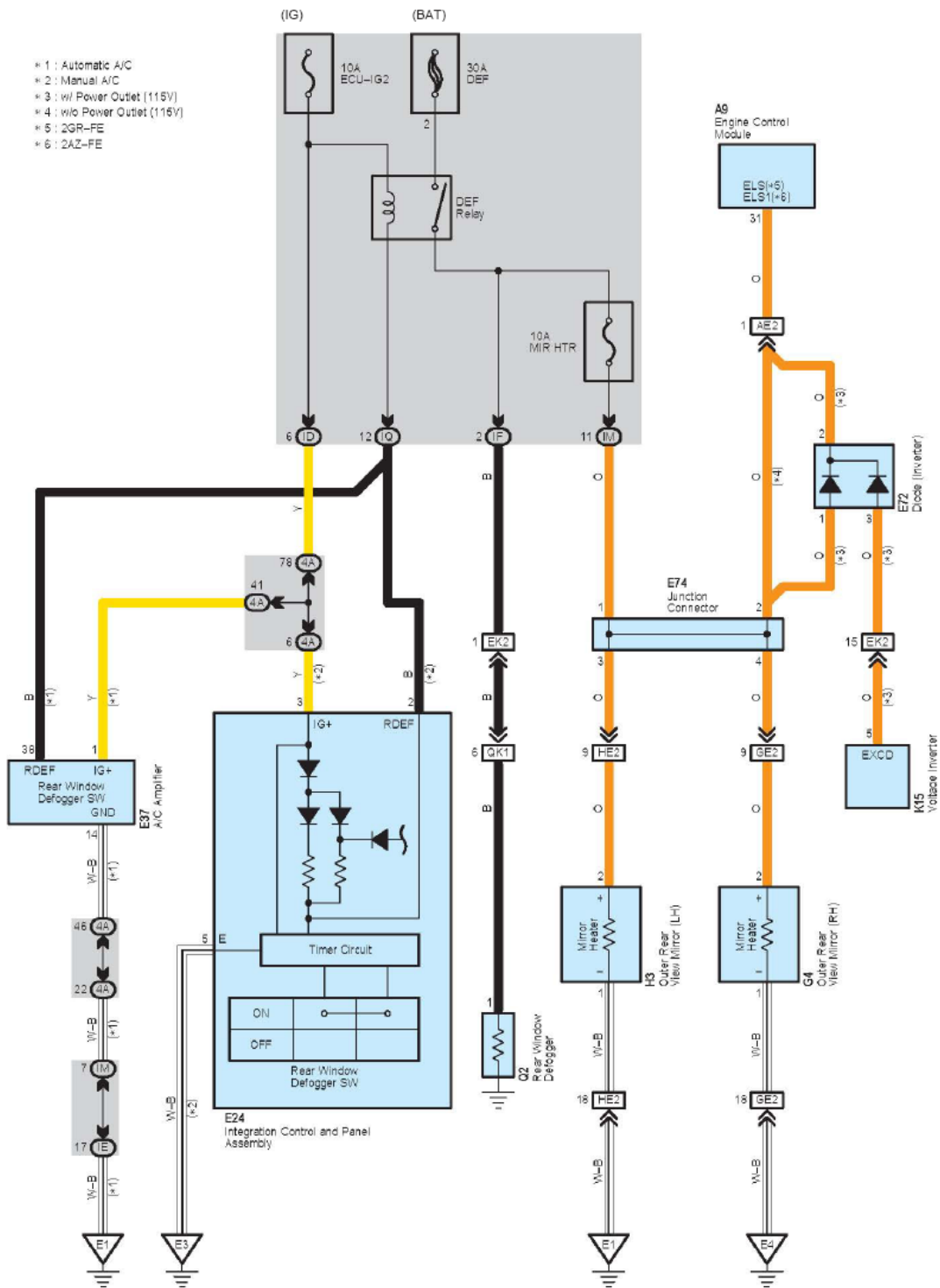


Rear Window Defogger and Mirror Heater



Junction Block and Wire Harness Connector

Code	Junction Block and Wire Harness (Connector Location)
4A	Instrument Panel Wire and J/B No.4 (Instrument Panel Center)
ID	Instrument Panel Wire and Instrument Panel J/B (Cowl Side Left)Instrument Panel Wire and Instrument Panel J/B (Cowl Side Left)
IE _	
IF _	
IM	
IQ _	

Connector Joining Wire Harness and Wire Harness

Code	Joining Wire Harness and Wire Harness (Connector Location)
AE2	Engine Room Main Wire and Instrument Panel Wire (Left Side of the Instrument Panel)
EK2	Instrument Panel Wire and Floor Wire (Left Kick Panel)
GE2	Front Door RH Wire and Instrument Panel Wire (Right Kick Panel)
HE2	Front Door LH Wire and Instrument Panel Wire (Left Kick Panel)
QK1	Back Door No.1 Wire and Floor Wire (Right Rear Quarter Panel)

Ground Points

Code	Ground Points Location
E1	Left Kick Panel
E3	Instrument Panel Reinforcement Center
E4	Right Kick Panel

LAUNCH