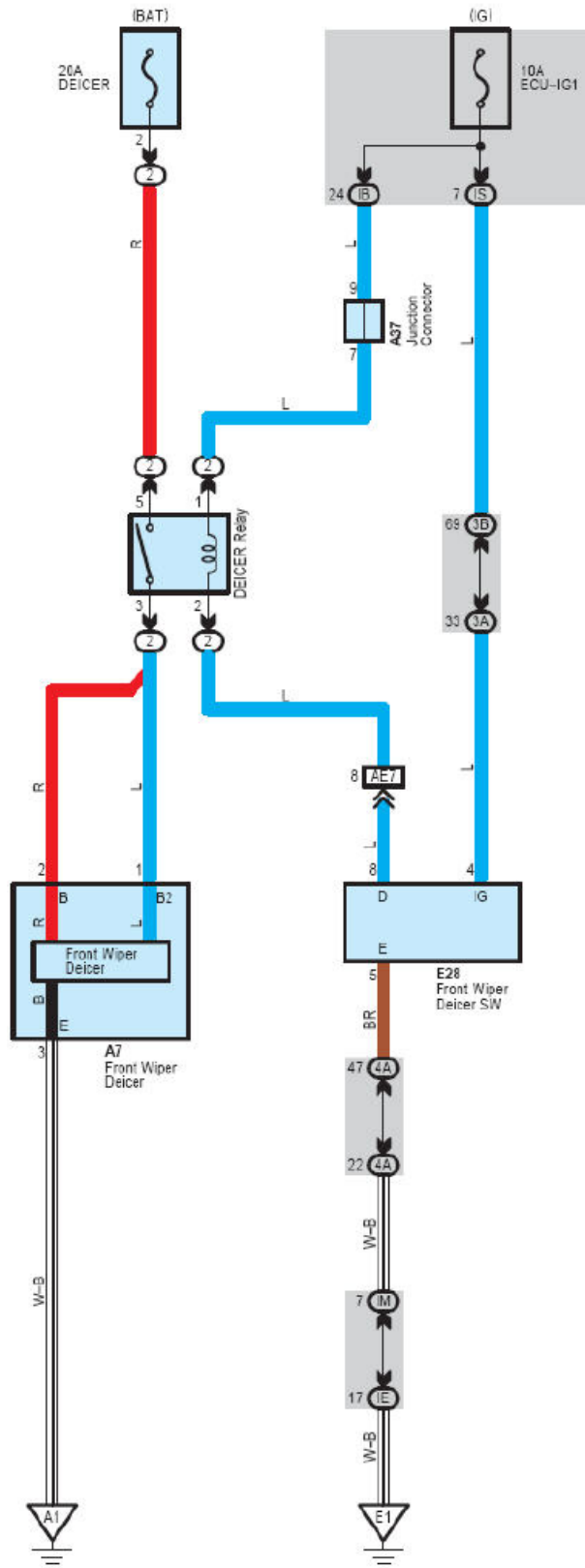


Front Window Deicer



Relay Blocks

Code	Relay Blocks (Relay Block Location)
2	Engine Room R/B No.2 (Engine Compartment Right)Engine Room R/B No.2 (Engine Compartment Right)

Junction Block and Wire Harness Connector

Code	Junction Block and Wire Harness (Connector Location)
3A	Instrument Panel Wire and J/B No.3 (Instrument Panel Center)Instrument Panel Wire and J/B No.3 (Instrument Panel Center)
3B _	
4A	Instrument Panel Wire and J/B No.4 (Instrument Panel Center)
IB	Engine Room Main Wire and Instrument Panel J/B (Cowl Side Left)
IE	Instrument Panel Wire and Instrument Panel J/B (Cowl Side Left)Instrument Panel Wire and Instrument Panel J/B (Cowl Side Left)
IM	
IS _	

Connector Joining Wire Harness and Wire Harness

Code	Joining Wire Harness and Wire Harness (Connector Location)
AE7	Engine Room Main Wire and Instrument Panel Wire (Right Side of the Instrument Panel)

Ground Points

Code	Ground Points Location
A1	Front Left Fender
E1	Left Kick Panel

LAUNCH