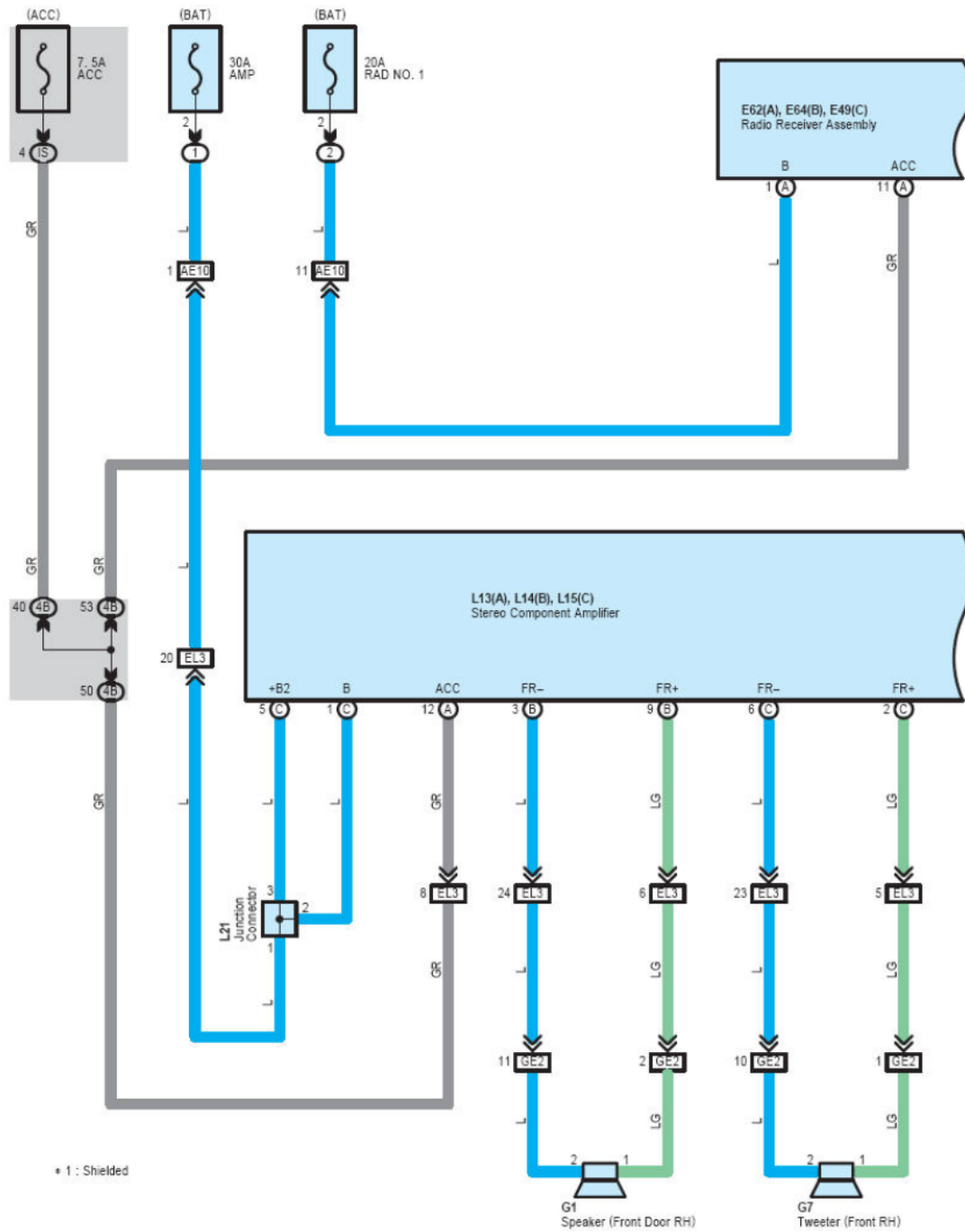
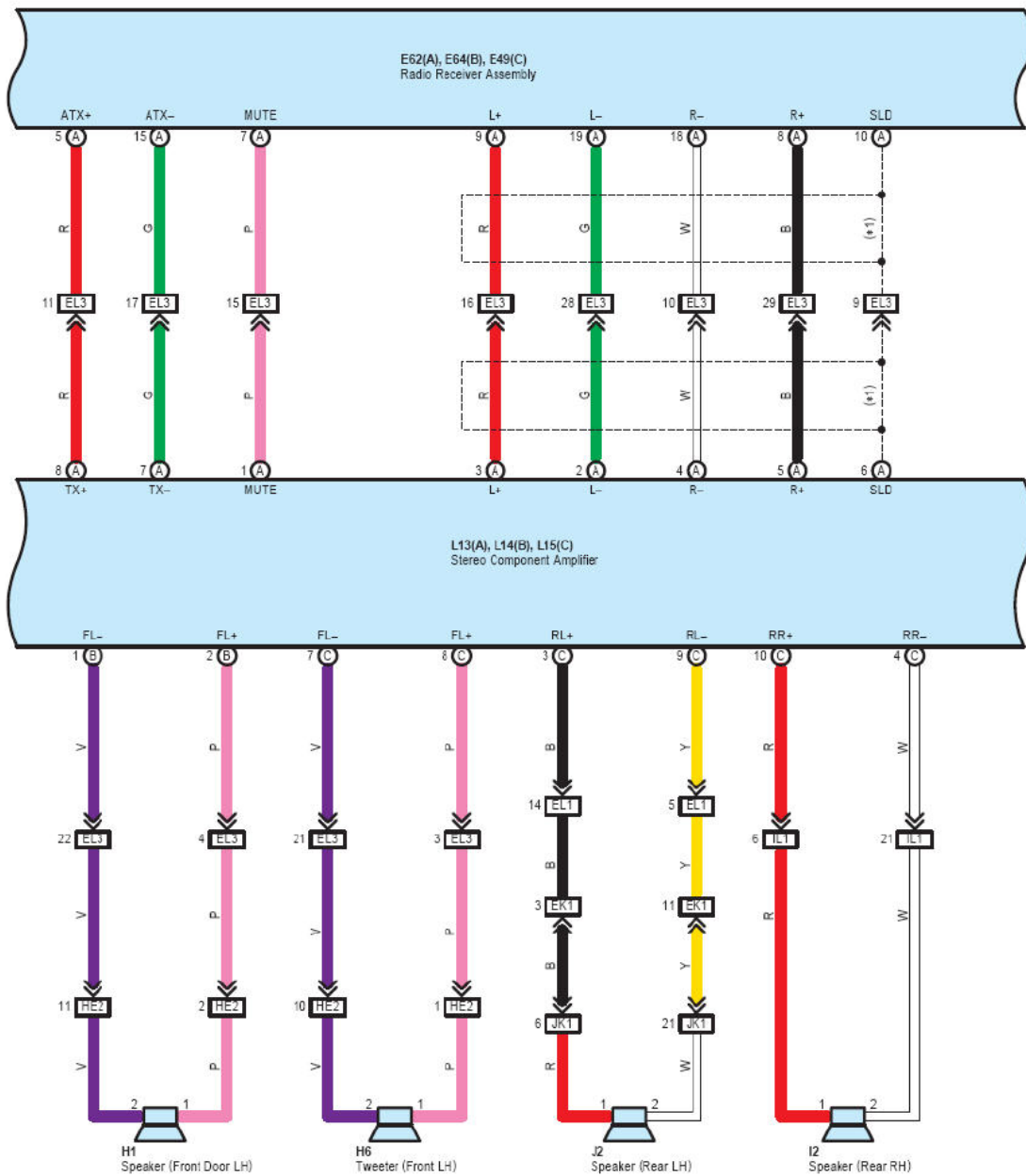
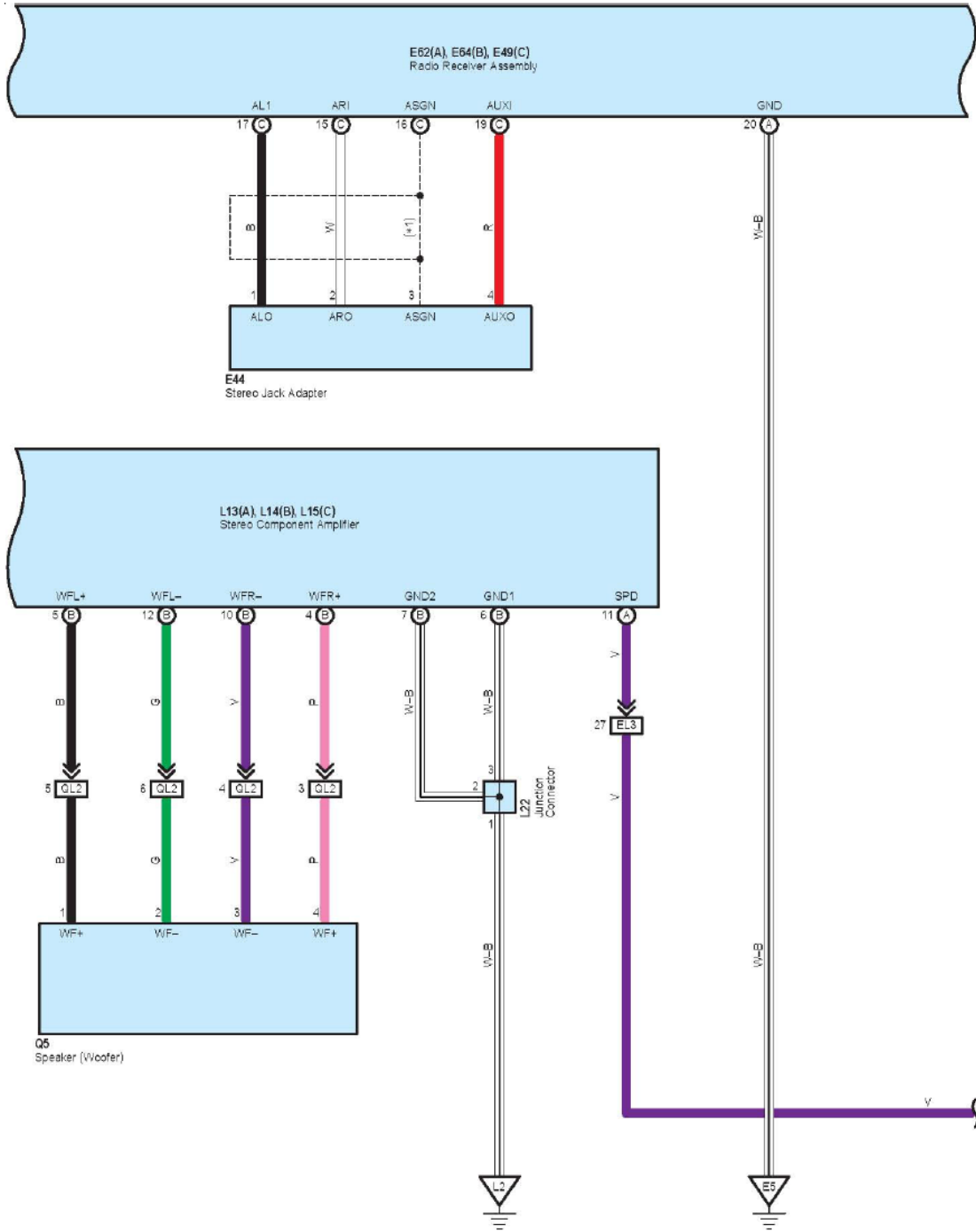
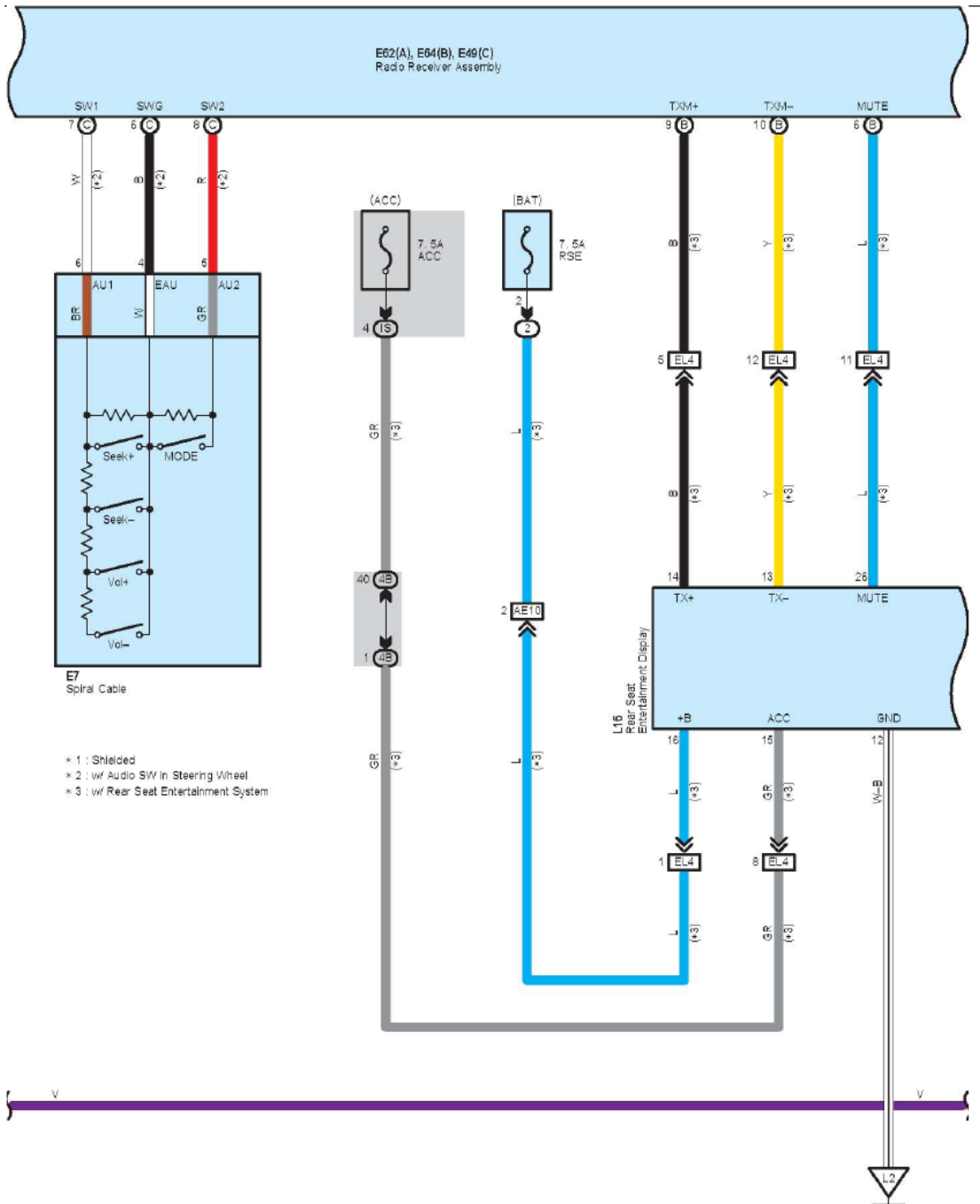


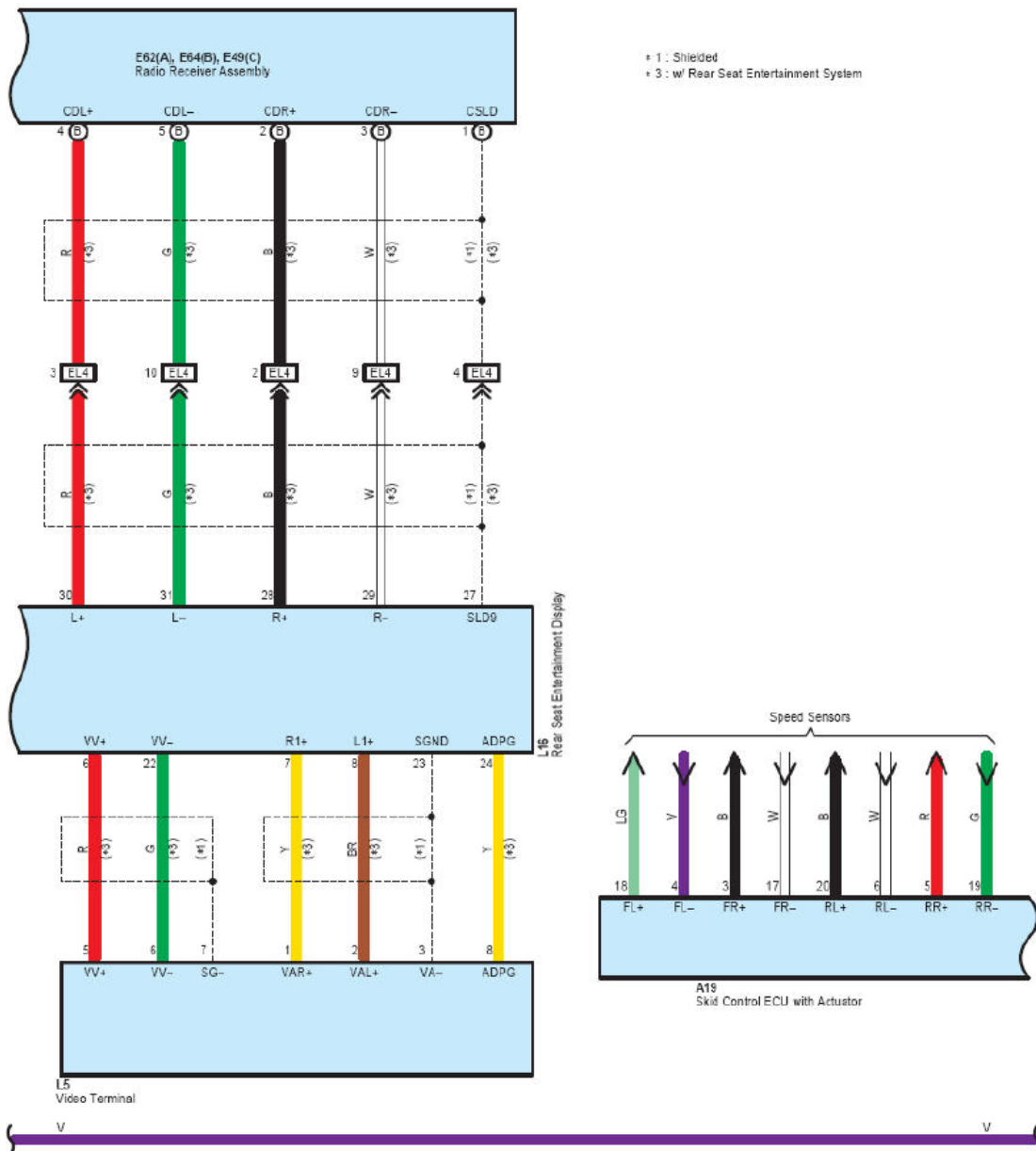
Audio System for JBL











Relay Blocks

Code	Relay Blocks (Relay Block Location)
1	Engine Room R/B No.1 (Engine Compartment Left)Engine Room R/B No.1 (Engine Compartment Left)
2	Engine Room R/B No.2 (Engine Compartment Right)Engine Room R/B No.2 (Engine Compartment Right)

Junction Block and Wire Harness Connector

Code	Junction Block and Wire Harness (Connector Location)
3A	Instrument Panel Wire and J/B No.3 (Instrument Panel Center)Instrument Panel Wire and J/B No.3 (Instrument Panel Center)
3B _	
4B	Instrument Panel Wire and J/B No.4 (Instrument Panel Center)
IB	Engine Room Main Wire and Instrument Panel J/B (Cowl Side Left)
IH	Instrument Panel Wire and Instrument Panel J/B (Cowl Side Left)Instrument Panel Wire and Instrument Panel J/B (Cowl Side Left)
IM	
IS _	

Connector Joining Wire Harness and Wire Harness

Code	Joining Wire Harness and Wire Harness (Connector Location)
AE4	Engine Room Main Wire and Instrument Panel Wire (Left Side of the Instrument Panel)Engine Room Main Wire and Instrument Panel Wire (Left Side of the Instrument Panel)
AE6 _	
AE10	Engine Room Main Wire and Instrument Panel Wire (Right Side of the Instrument Panel)
EK1	Instrument Panel Wire and Floor Wire (Left Kick Panel)
EL1	Instrument Panel Wire and Floor No.2 Wire (Right Kick Panel)Instrument Panel Wire and Floor No.2 Wire (Right Kick Panel)
EL3 _	
EL4 _	
GE2	Front Door RH Wire and Instrument Panel Wire (Right Kick Panel)
HE2	Front Door LH Wire and Instrument Panel Wire (Left Kick Panel)
IL1	Rear Door No.2 RH Wire and Floor No.2 Wire (Right Center Pillar)
JK1	Rear Door No.1 RH Wire and Floor Wire (Left Center Pillar)
QL2	Back Door No.3 Wire and Floor No.2 Wire (Right Rear Quarter Panel)

Ground Points

Code	Ground Points Location
E1	Left Kick Panel
E5	Instrument Panel Reinforcement Center
L2	Right Quarter Panel