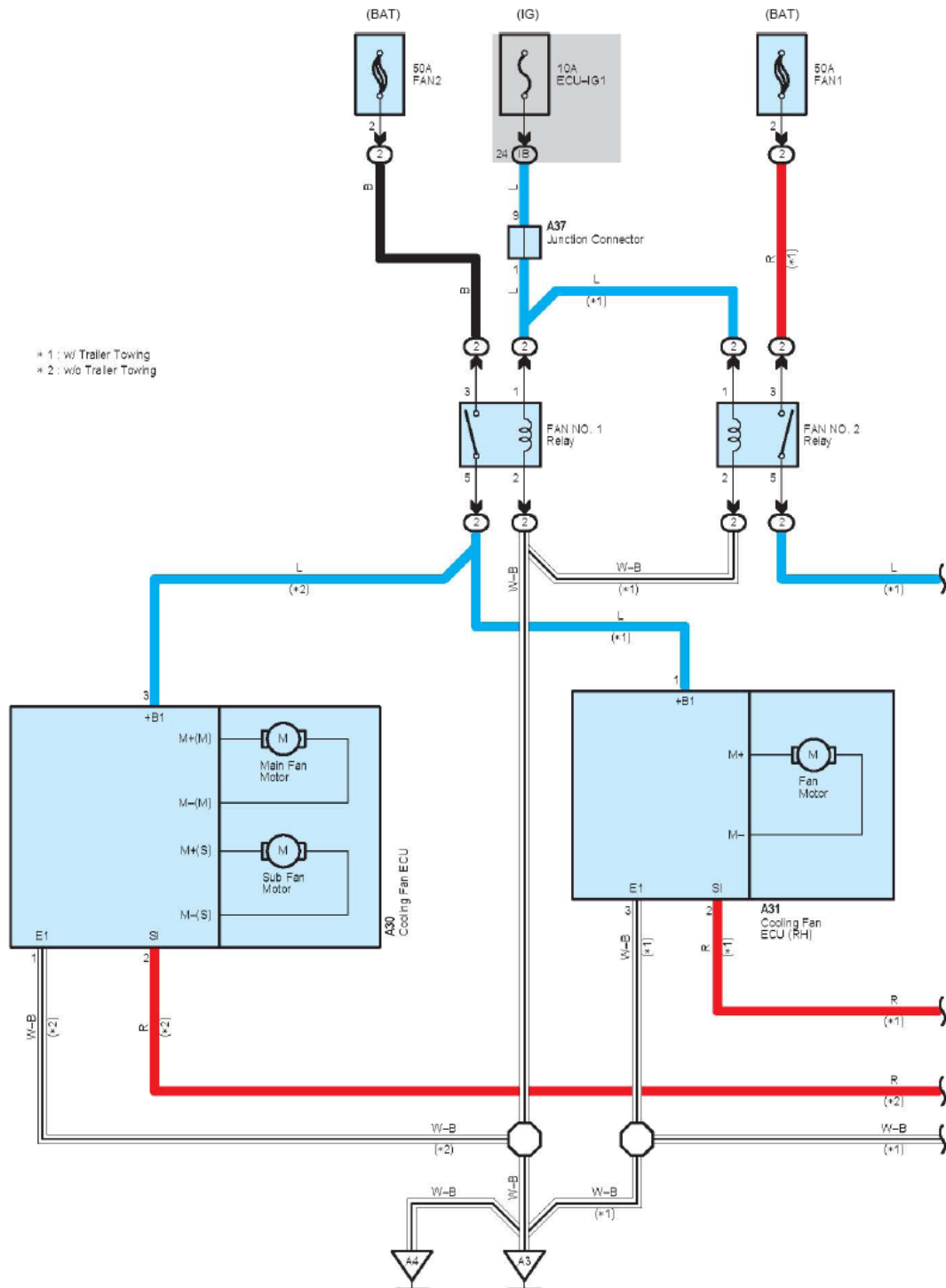
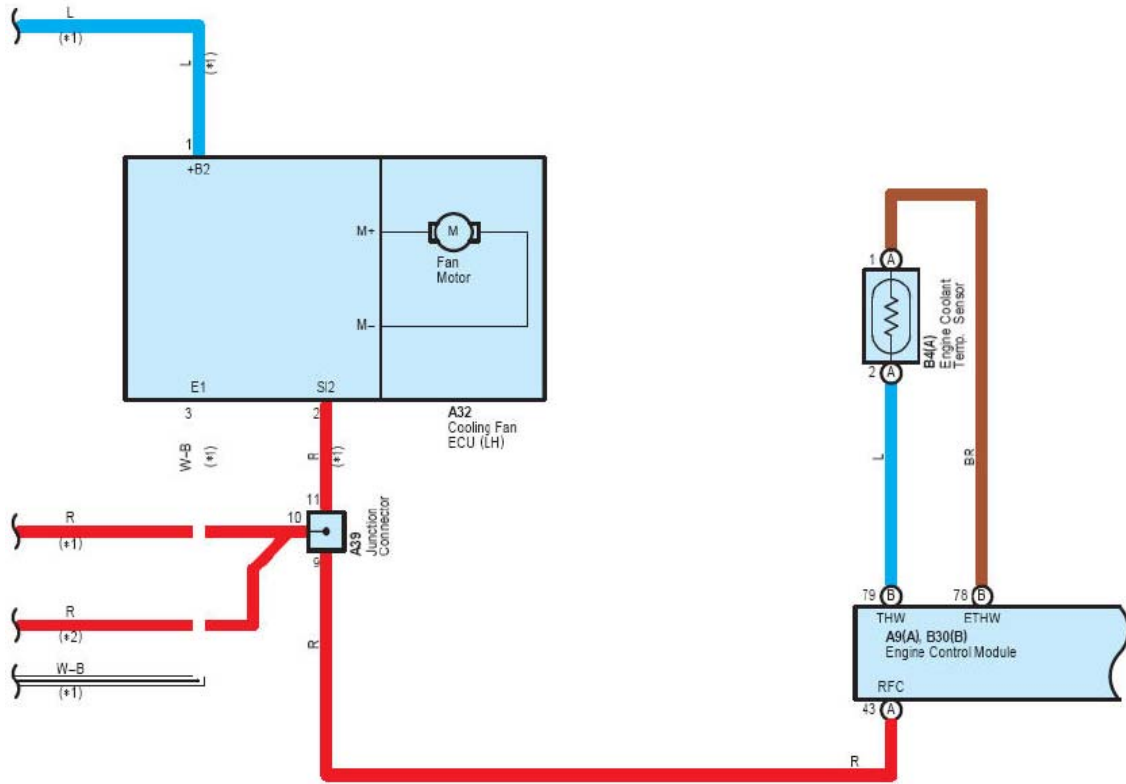
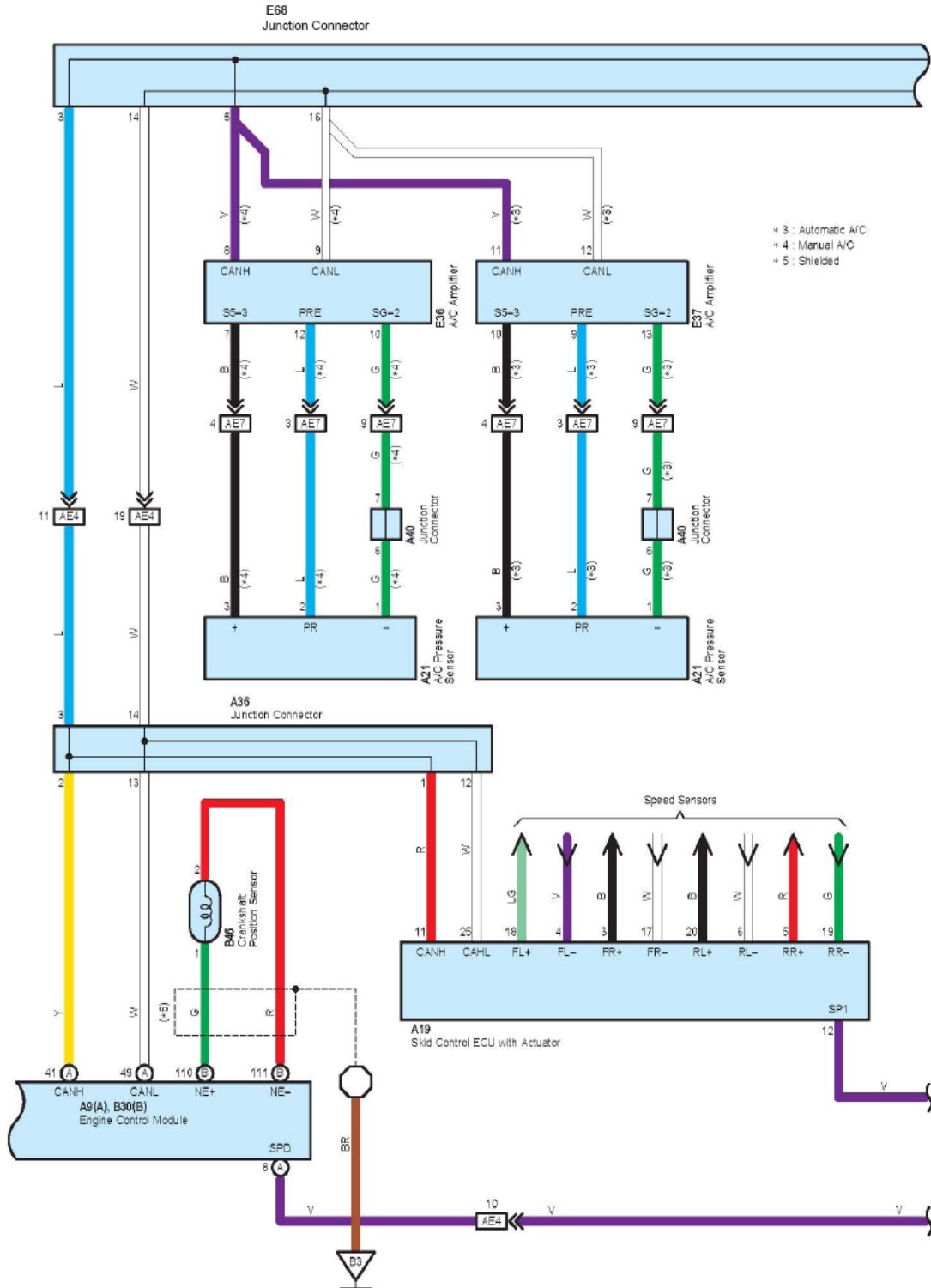


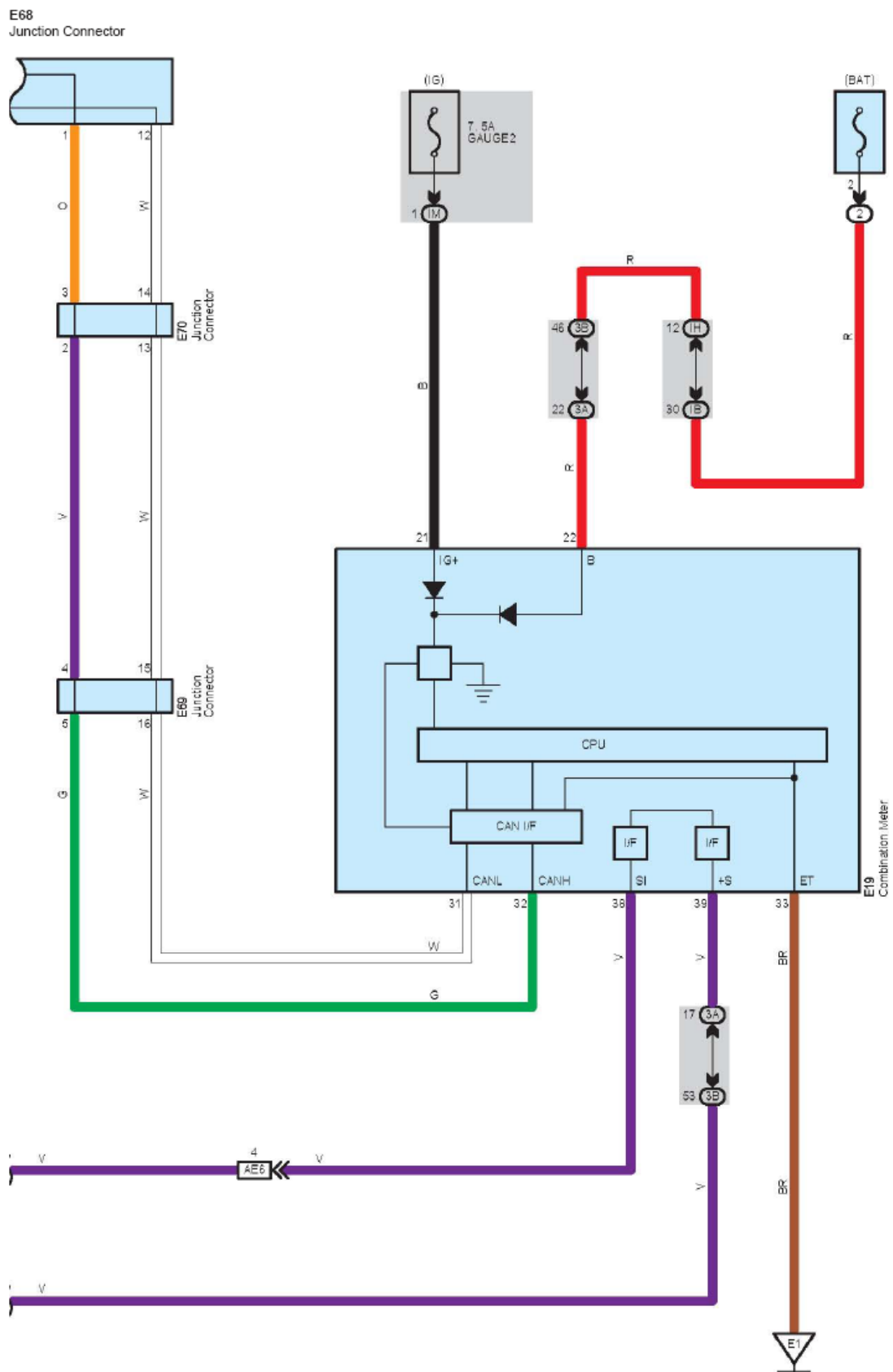
Cooling Fan for 2GR-FE





LAUNCH





System Outline

In accordance with signals from the engine control module, which calculates the engine coolant temperature, the air conditioner refrigerant pressure and the engine and vehicle speeds, the cooling fan controller seamlessly controls rotational speed of the cooling fan, to maintain the balance between the cooling performance and the air conditioning performance.

Relay Blocks

Code	Relay Blocks (Relay Block Location)
2	Engine Room R/B No.2 (Engine Compartment Right)

Junction Block and Wire Harness Connector

Code	Junction Block and Wire Harness (Connector Location)
3A	Instrument Panel Wire and J/B No.3 (Instrument Panel Center)Instrument Panel Wire and J/B No.3 (Instrument Panel Center)
3B _	
IB	Engine Room Main Wire and Instrument Panel J/B (Cowl Side Left)
IH	Instrument Panel Wire and Instrument Panel J/B (Cowl Side Left)Instrument Panel Wire and Instrument Panel J/B (Cowl Side Left)
IM	

Connector Joining Wire Harness and Wire Harness

Code	Joining Wire Harness and Wire Harness (Connector Location)
AE4	Engine Room Main Wire and Instrument Panel Wire (Left Side of the Instrument Panel)Engine Room Main Wire and Instrument Panel Wire (Left Side of the Instrument Panel)
AE6 _	
AE7	Engine Room Main Wire and Instrument Panel Wire (Right Side of the Instrument Panel)

Ground Points

Code	Ground Points Location
A3	Front Right FenderFront Right Fender
A4 _	
B3	Left Side of the Cylinder Head
E1	Left Kick Panel