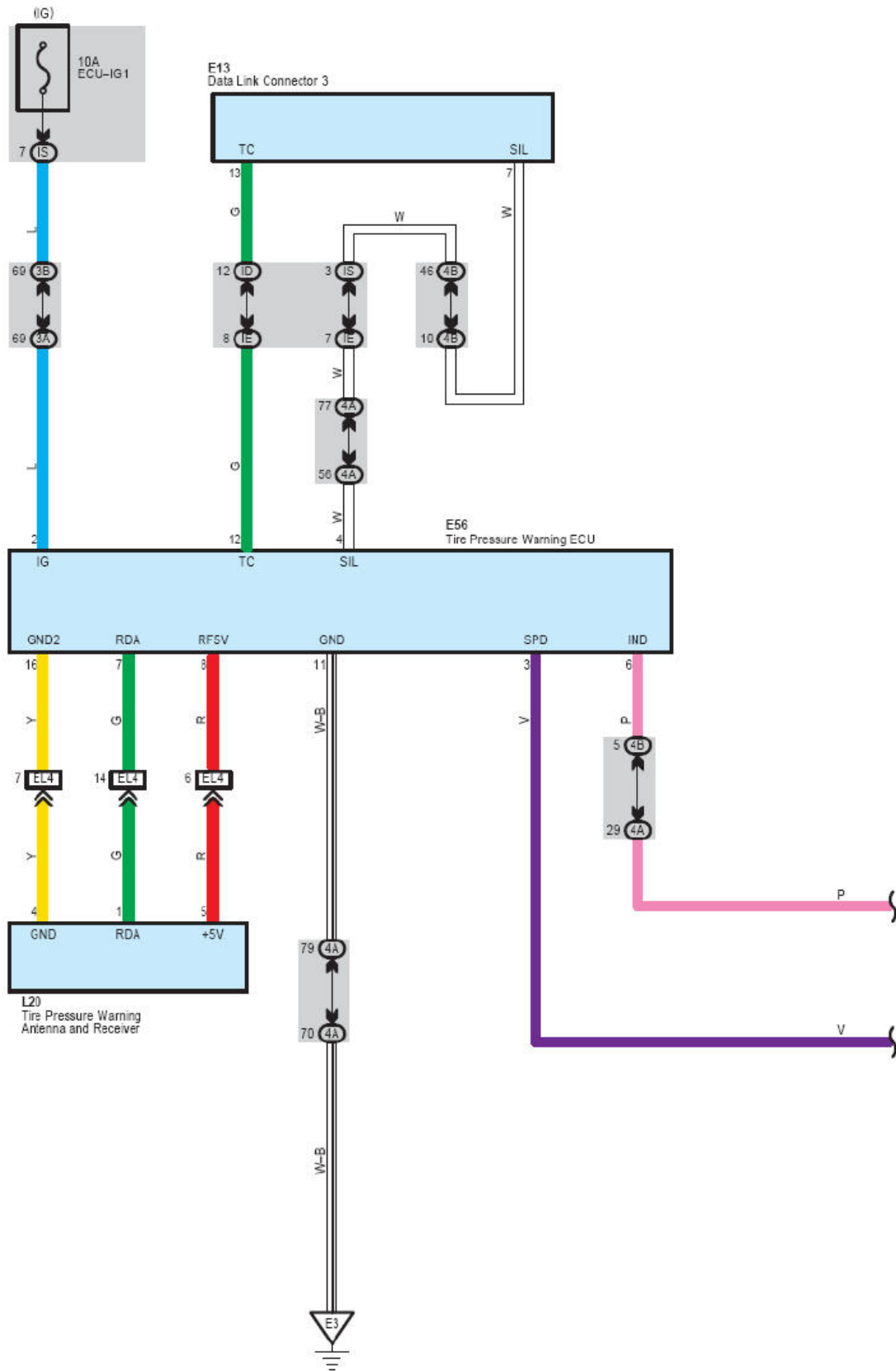
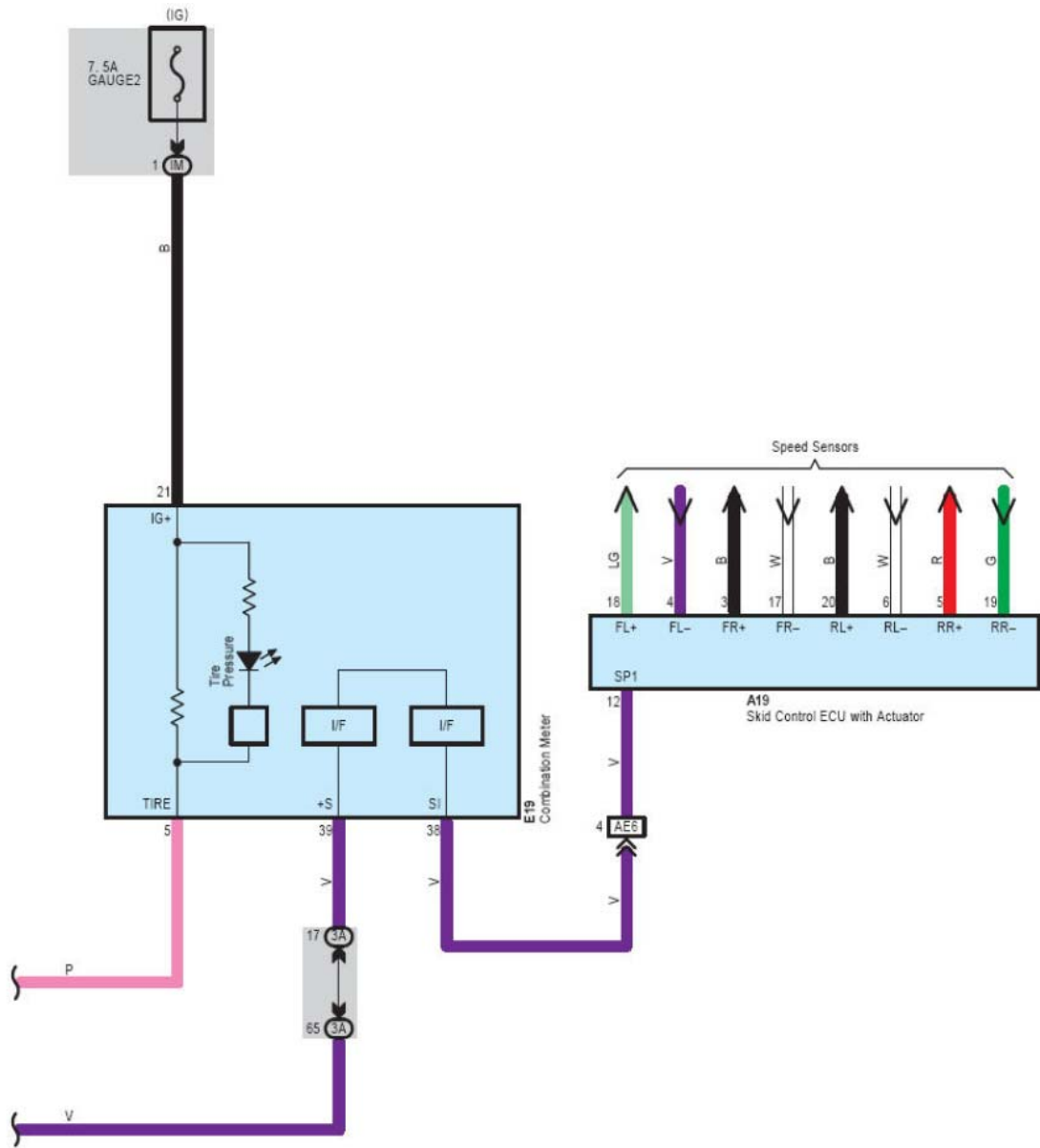


# Tire Pressure Warning System





**System Outline**

In the tire pressure warning system, the warning light illuminates to alert the driver about the low tire pressure when the vehicle continues driving with one of the five tires (Include spare tire) under such low pressure to cause possible driving disturbance.

The air pressure sensors installed in the wheels measure air pressure in the tires directly.

**Junction Block and Wire Harness Connector**

Code	Junction Block and Wire Harness (Connector Location)
3A	Instrument Panel Wire and J/B No.3 (Instrument Panel Center)Instrument Panel Wire and J/B No.3 (Instrument Panel Center)
3B _	
4A	Instrument Panel Wire and J/B No.4 (Instrument Panel Center)Instrument Panel Wire and J/B No.4 (Instrument Panel Center)
4B _	
ID	Instrument Panel Wire and Instrument Panel J/B (Cowl Side Left)Instrument Panel Wire and Instrument Panel J/B (Cowl Side Left)
IE _	
IM	
IS _	

**Connector Joining Wire Harness and Wire Harness**

Code	Joining Wire Harness and Wire Harness (Connector Location)
AE6	Engine Room Main Wire and Instrument Panel Wire (Left Side of the Instrument Panel)
EL4	Instrument Panel Wire and Floor No.2 Wire (Right Kick Panel)

**Ground Points**

Code	Ground Points Location
E3	Instrument Panel Reinforcement Center