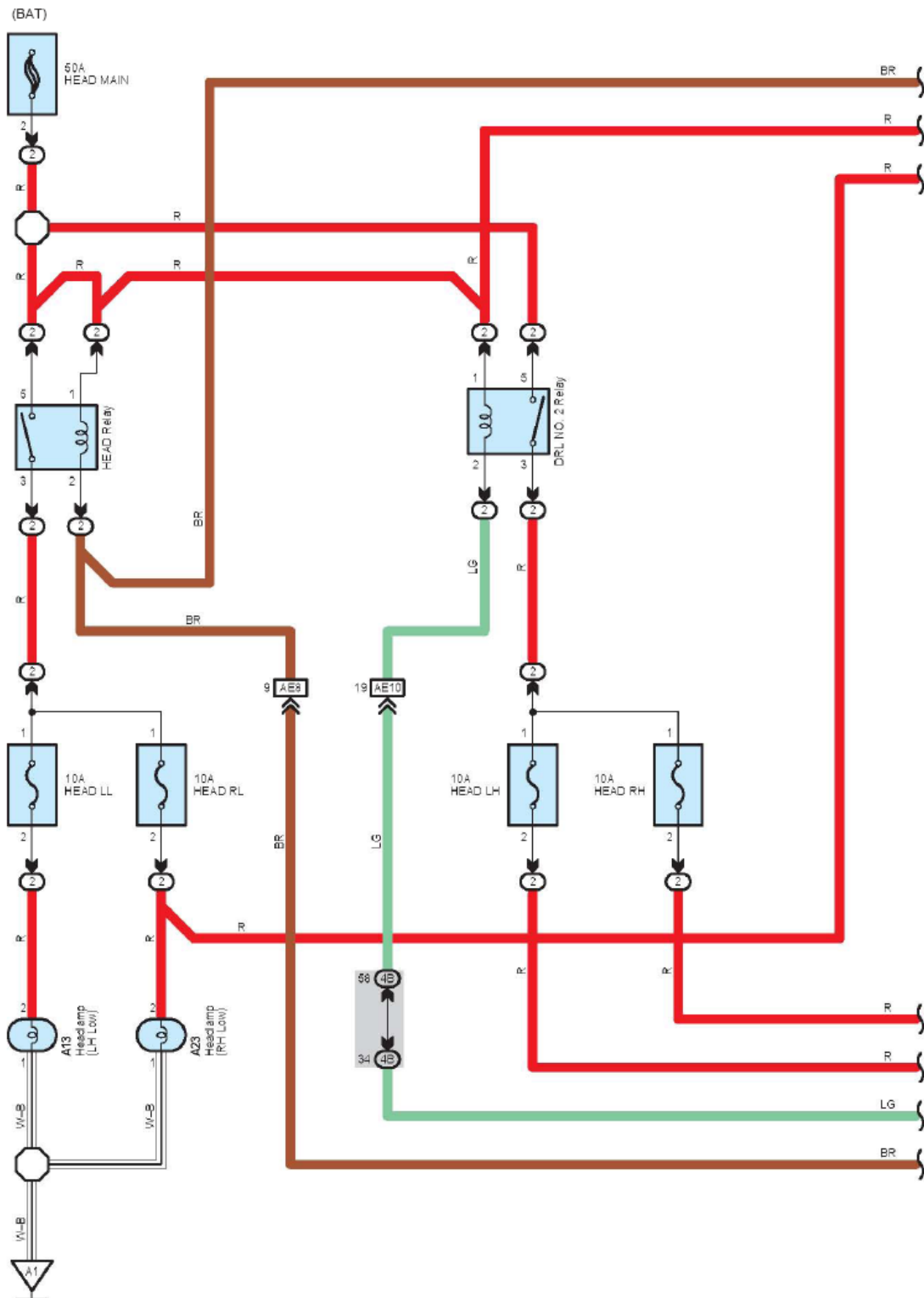
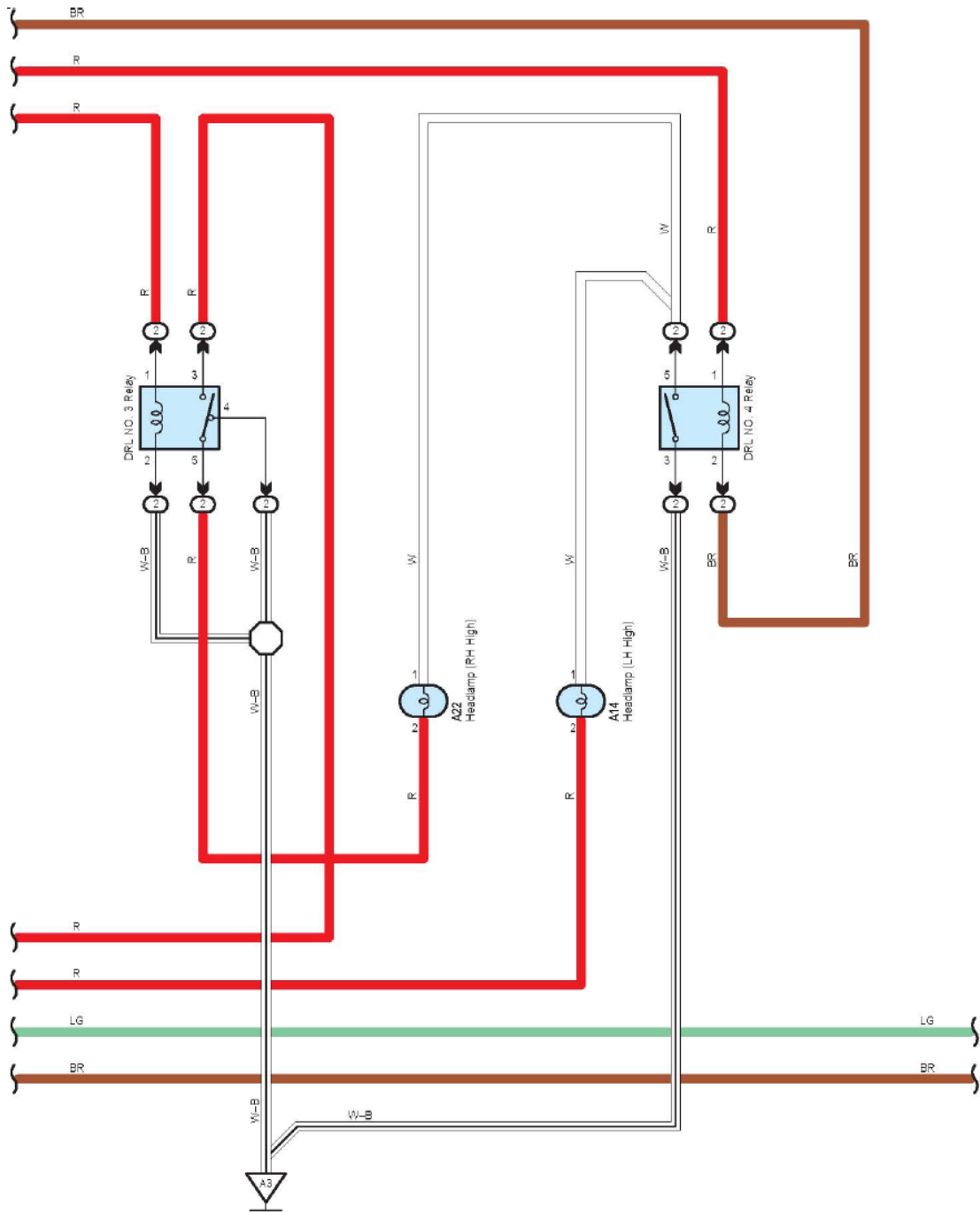
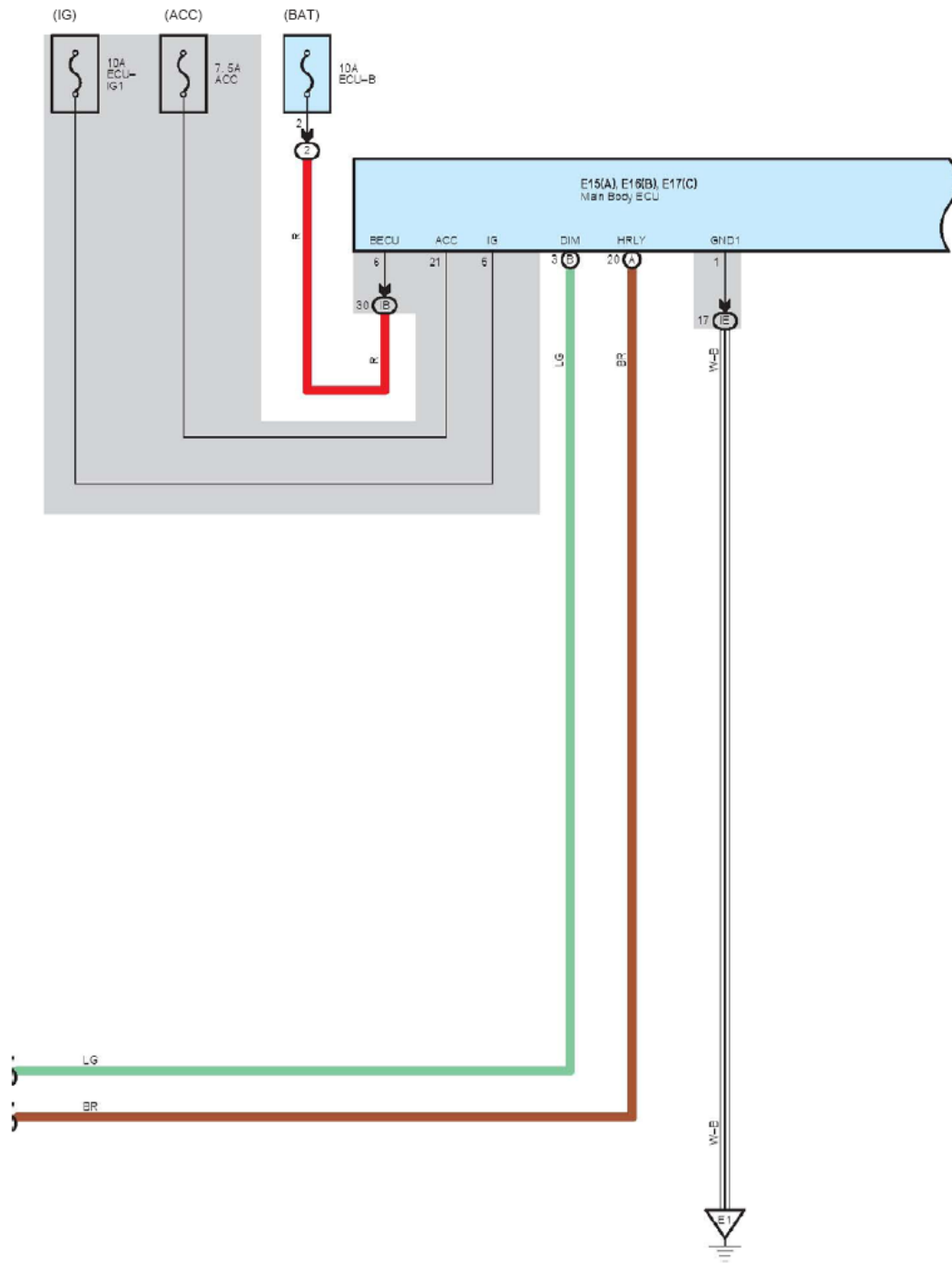
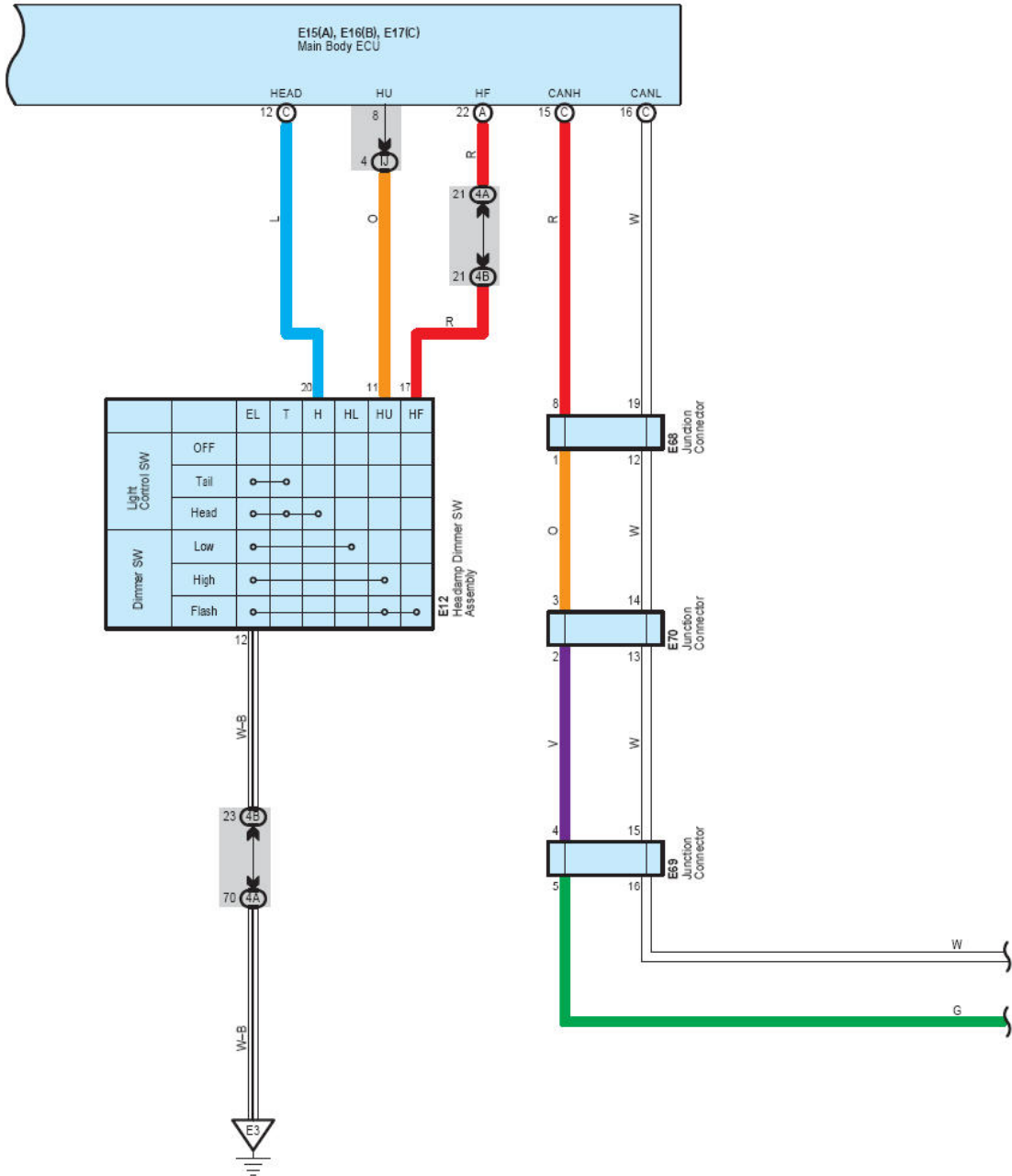


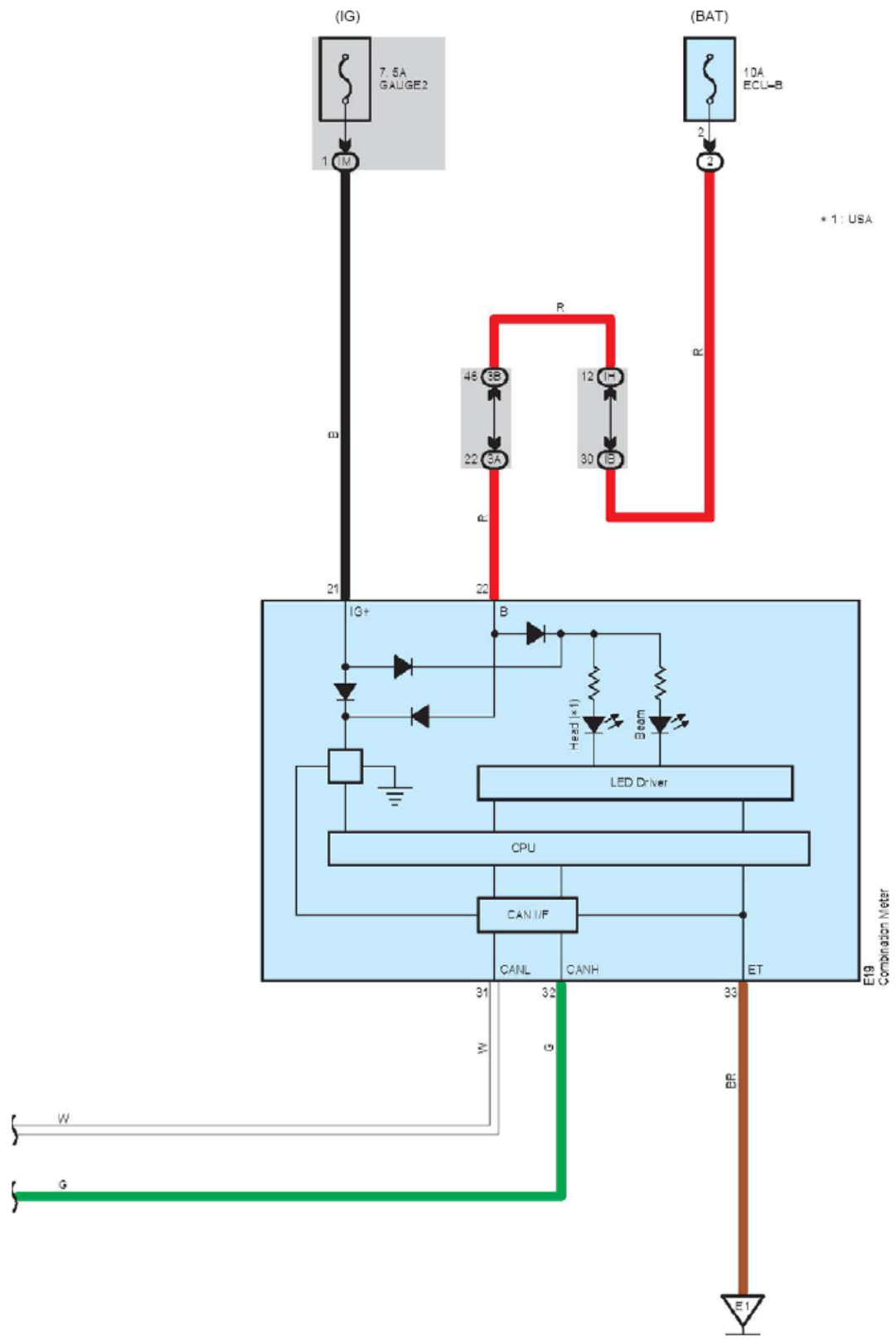
Headlight











Relay Blocks

Code	Relay Blocks (Relay Block Location)
2	Engine Room R/B No.2 (Engine Compartment Right)Engine Room R/B No.2 (Engine Compartment Right)

Junction Block and Wire Harness Connector

Code	Junction Block and Wire Harness (Connector Location)
3A	Instrument Panel Wire and J/B No.3 (Instrument Panel Center)Instrument Panel Wire and J/B No.3 (Instrument Panel Center)
3B_	
4A	Instrument Panel Wire and J/B No.4 (Instrument Panel Center)Instrument Panel Wire and J/B No.4 (Instrument Panel Center)
4B_	
IB	Engine Room Main Wire and Instrument Panel J/B (Cowl Side Left)
IE	Instrument Panel Wire and Instrument Panel J/B (Cowl Side Left)Instrument Panel Wire and Instrument Panel J/B (Cowl Side Left)
IH_	
IJ_	
IM	

Connector Joining Wire Harness and Wire Harness

Code	Joining Wire Harness and Wire Harness (Connector Location)
AE8	Engine Room Main Wire and Instrument Panel Wire (Right Side of the Instrument Panel)Engine Room Main Wire and Instrument Panel Wire (Right Side of the Instrument Panel)
AE10_	

Ground Points

Code	Ground Points Location
A1	Front Left Fender
A3	Front Right FenderFront Right Fender
E1	Left Kick Panel
E3	Instrument Panel Reinforcement Center