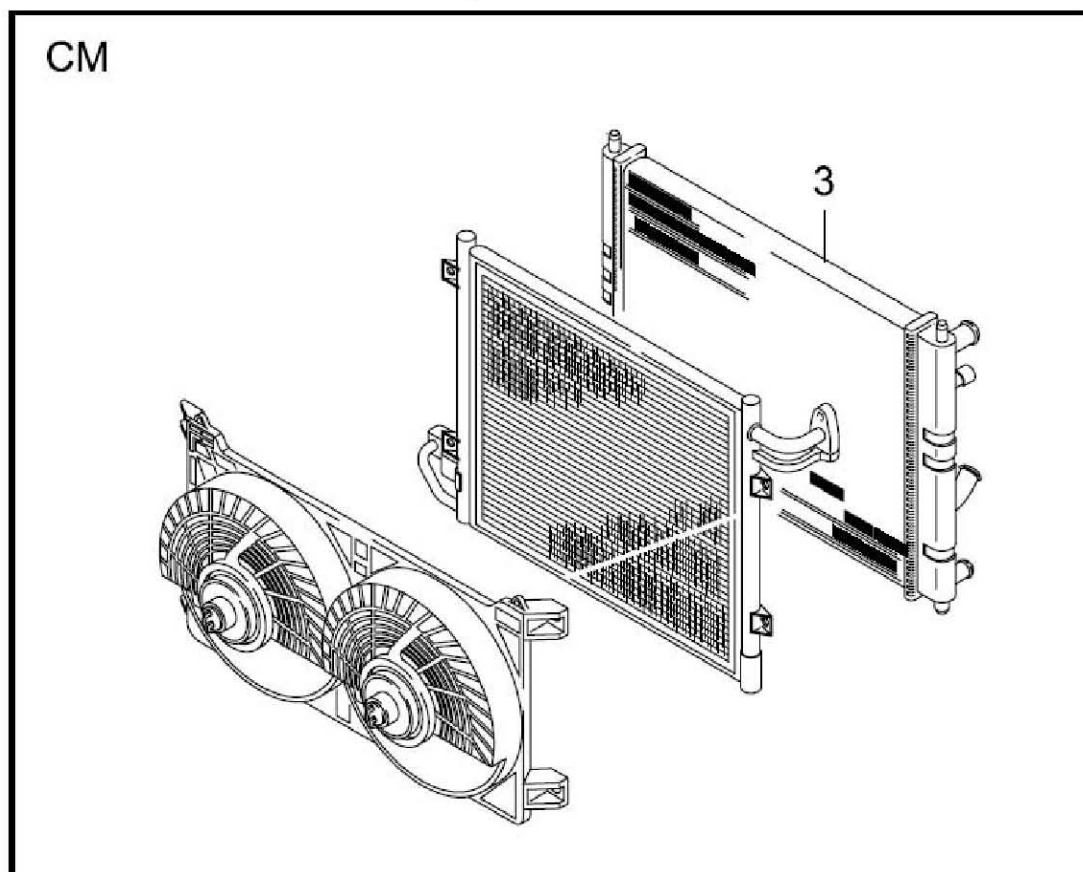
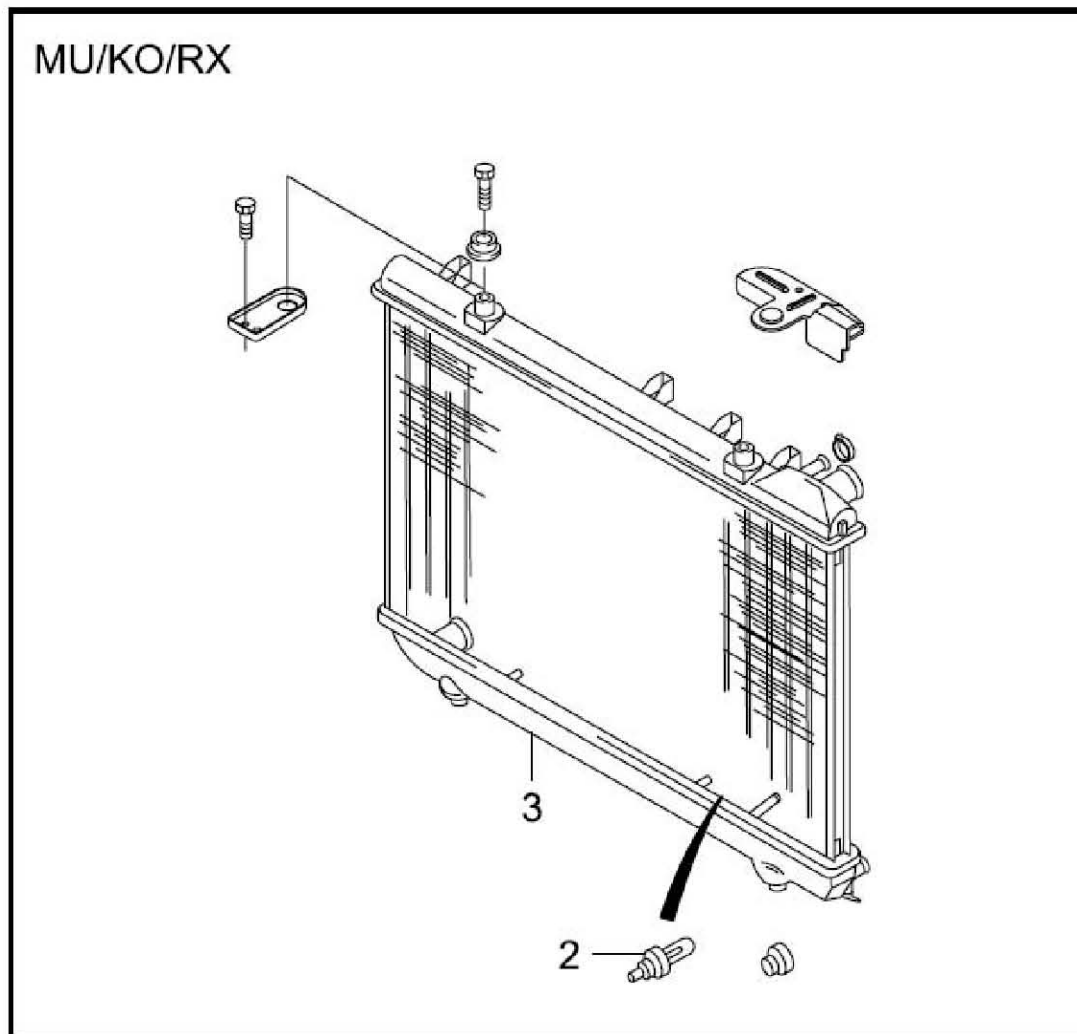


1D - ENGINE COOLING

LAUNCH

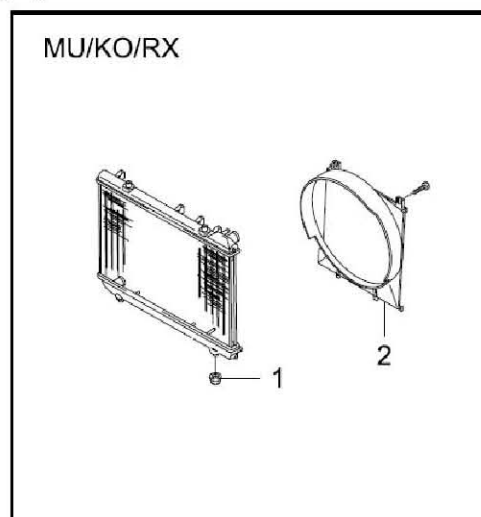
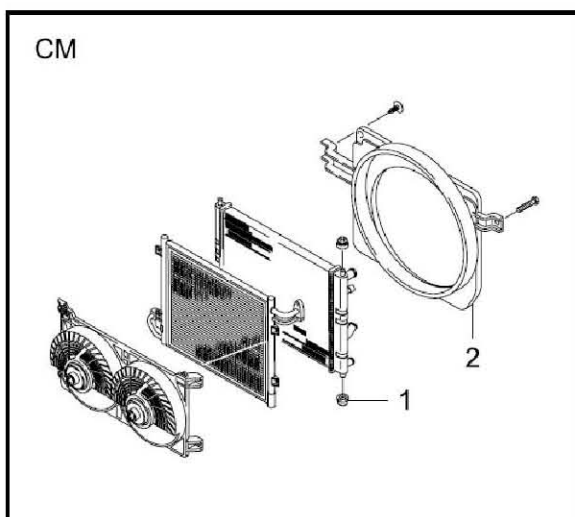
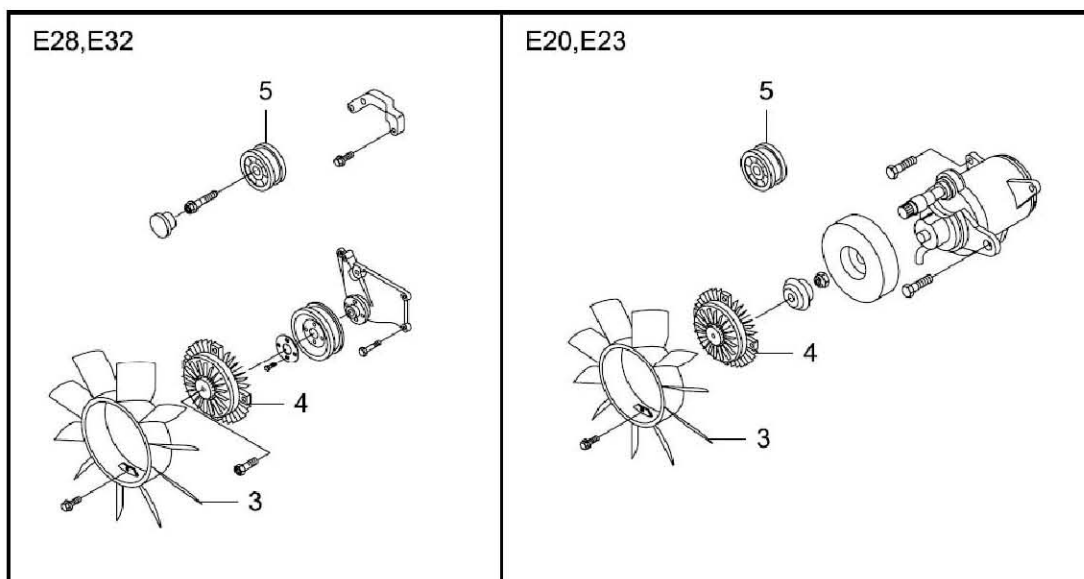




ENGINE COOLING - RADIATOR (141)								
NO.	OPERATION DESCRIPTION	OPERATION CODE	CM		MU/KO		RX	
			2.0/ 2.3	2.8/ 3.2	2.0/ 2.3	2.8/ 3.2	2.0/ 2.3	2.8/ 3.2
1	COOLANT - REPLACE	1410100	0.5	0.5	0.5	0.5	0.5	0.5
2	COCK OR PLUG, RADIATOR DRAIN - REPLACE	1410300	0.2	0.2	1.0	1.0	1.0	1.0
3	RADIATOR ASSEMBLY - REPLACE	1410500	0.9	0.9	1.6	1.6	1.6	1.6
4	COOLING SYSTEM - FLUSH	1411700	0.2	0.2	0.6	0.6	0.6	0.6

LAUNCH

CM : CHAIRMAN, MU : MUSSO, KO : KORANDO, RX : REXTON

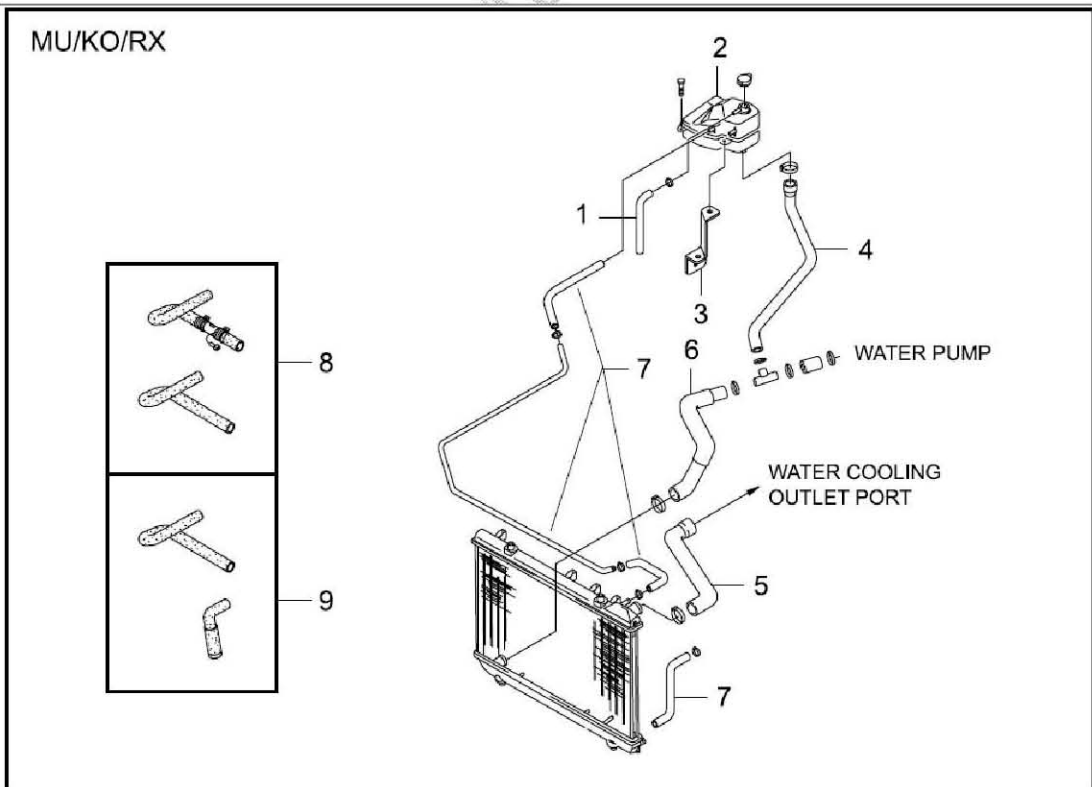
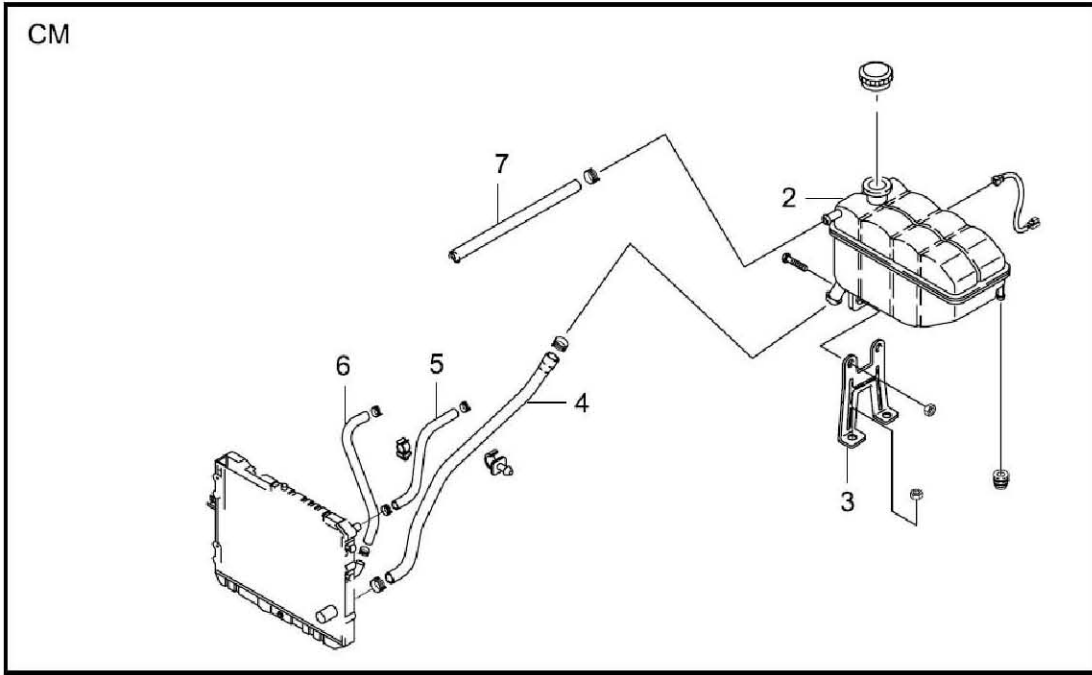


ENGINE COOLING - COOLING FAN (143)								
NO.	OPERATION DESCRIPTION	OPERATION CODE	CM		MU/KO		RX	
			2.0/ 2.3	2.8/ 3.2	2.0/ 2.3	2.8/ 3.2	2.0/ 2.3	2.8/ 3.2
1	DEFLECTOR AND/OR SEAL (LOWER) - REPLACE	1430500	0.3	0.3	0.8	0.8	0.8	0.8
2	SHROUD, RADIATOR FAN (ONE PIECE) - REPLACE	1430700	0.3	0.3	0.5	0.5	0.5	0.5
3	BLADE, FAN - REPLACE	1431600	0.3	0.3	0.7	0.7	0.7	0.7
4	CLUTCH, FAN - REPLACE	1431700	1.1	1.1	0.7	0.7	0.7	0.7
5	PULLEY, FAN BELT IDLE - REPLACE	1431900	0.5	0.5	0.5	0.5	0.5	0.5

LAUNCH

CM : CHAIRMAN, MU : MUSSO, KO : KORANDO, RX : REXTON

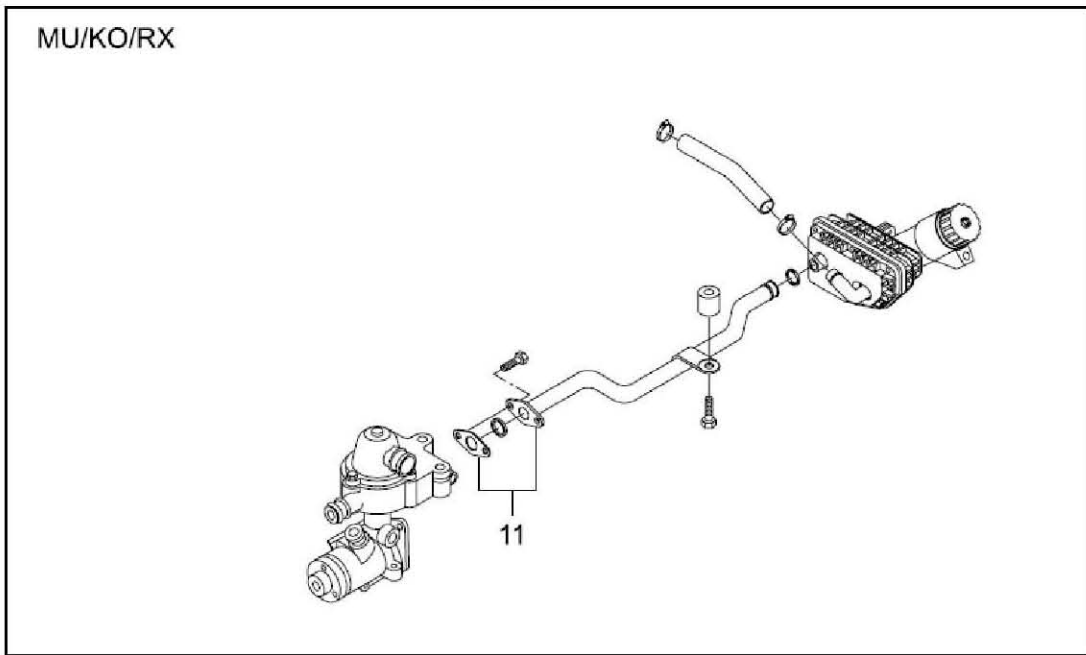
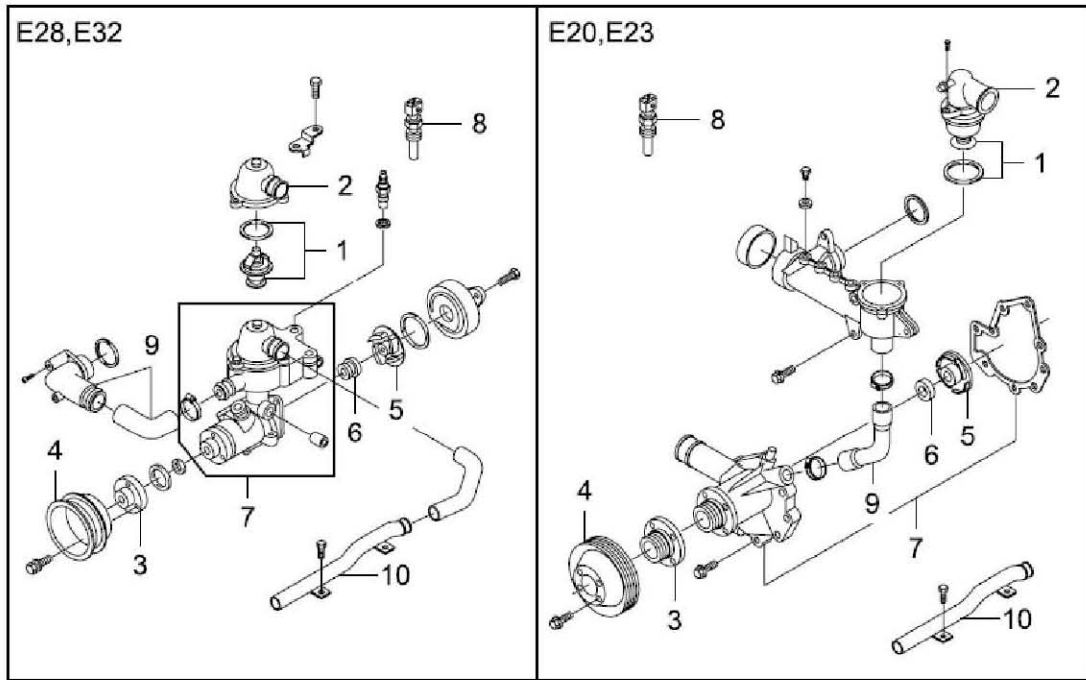
LAUNCH



ENGINE COOLING - RADIATOR HOSE & PIPE (145)								
NO.	OPERATION DESCRIPTION	OPERATION CODE	CM		MU/KO		RX	
			2.0/ 2.3	2.8/ 3.2	2.0/ 2.3	2.8/ 3.2	2.0/ 2.3	2.8/ 3.2
1	HOSE, OVERFLOW - REPLACE	1450300	0.3	0.3	0.3	0.3	0.3	0.3
2	RESERVOIR, RADIATOR COOLANT - REPLACE	1450400	0.4	0.4	0.4	0.4	0.4	0.4
3	BRACKET, RADIATOR COOLANT, RESERVOIR - REPLACE	1450410	-	-	0.5	0.5	0.5	0.5
4	HOSE, MAKE UP - REPLACE	1450600	0.6	0.6	0.6	0.6	0.6	0.6
5	HOSE, UPPER ENGINE COOLANT - REPLACE	1450700	0.4	0.4	0.4	0.4	0.4	0.4
6	HOSE, LOWER ENGINE COOLANT - REPLACE	1450800	0.6	0.6	0.6	0.6	0.6	0.6
7	HOSE AND/OR TUBE, DEAERATION - REPLACE A - Replace each additional	1451400	0.3	0.3	0.3	0.3	0.3	0.3
		145140A	-	-	0.1	0.1	0.1	0.1
8	HOSE, INLET HEATER - REPLACE	1453100	1.0	1.0	1.0	1.0	1.0	1.0
9	HOSE, OUTLET HEATER - REPLACE	1453200	1.0	1.0	1.0	1.0	1.0	1.0

LAUNCH
LAUNCH

CM : CHAIRMAN, MU : MUSSO, KO : KORANDO, RX : REXTON



ENGINE COOLING - THERMOSTAT & WATER PUMP (148)								
NO.	OPERATION DESCRIPTION	OPERATION CODE	CM		MU/KO		RX	
			2.0/ 2.3	2.8/ 3.2	2.0/ 2.3	2.8/ 3.2	2.0/ 2.3	2.8/ 3.2
1	THERMOSTAT AND/OR GASKET - REPLACE	1480500	0.5	0.5	0.5	0.5	0.5	0.5
2	PORT AND/OR GASKET, COOLANT OUTLET - REPLACE	1480600	0.7	0.7	1.0	1.0	1.0	1.0
3	FLANGE, WATER PUMP - REPLACE	1481250	0.5	0.5	0.5	0.5	0.5	0.5
4	PULLEY, WATER PUMP - REPLACE	1481270	0.3	0.3	0.3	0.3	0.3	0.3
5	IMPELLER, WATER PUMP - REPLACE	1481280	2.0	2.0	4.2	4.2	4.2	4.2
6	SEAL, WATER PUMP MECHANICAL - REPLACE	1481700	1.2	1.2	3.2	3.2	3.2	3.2
7	WATER PUMP - REPLACE	1482100	2.0	2.0	4.2	4.2	4.2	4.2
8	SENSOR, WATER PUMP TEMPERATURE - REPLACE	1482200	0.2	0.2	0.2	0.2	0.2	0.2
9	PORT, COOLING WATER DUTLET - REPLACE	1482210	0.6	0.6	0.8	0.8	0.8	0.8
10	PIPE, HOT WATER INLET - REPLACE	1482220	0.5	0.5	0.9	0.9	0.9	0.9
11	PIPE, OIL COOLANT - REPLACE	1482230	0.8	0.8	1.0	1.0	1.0	1.0

LAUNCH

CM : CHAIRMAN, MU : MUSSO, KO : KORANDO, RX : REXTON