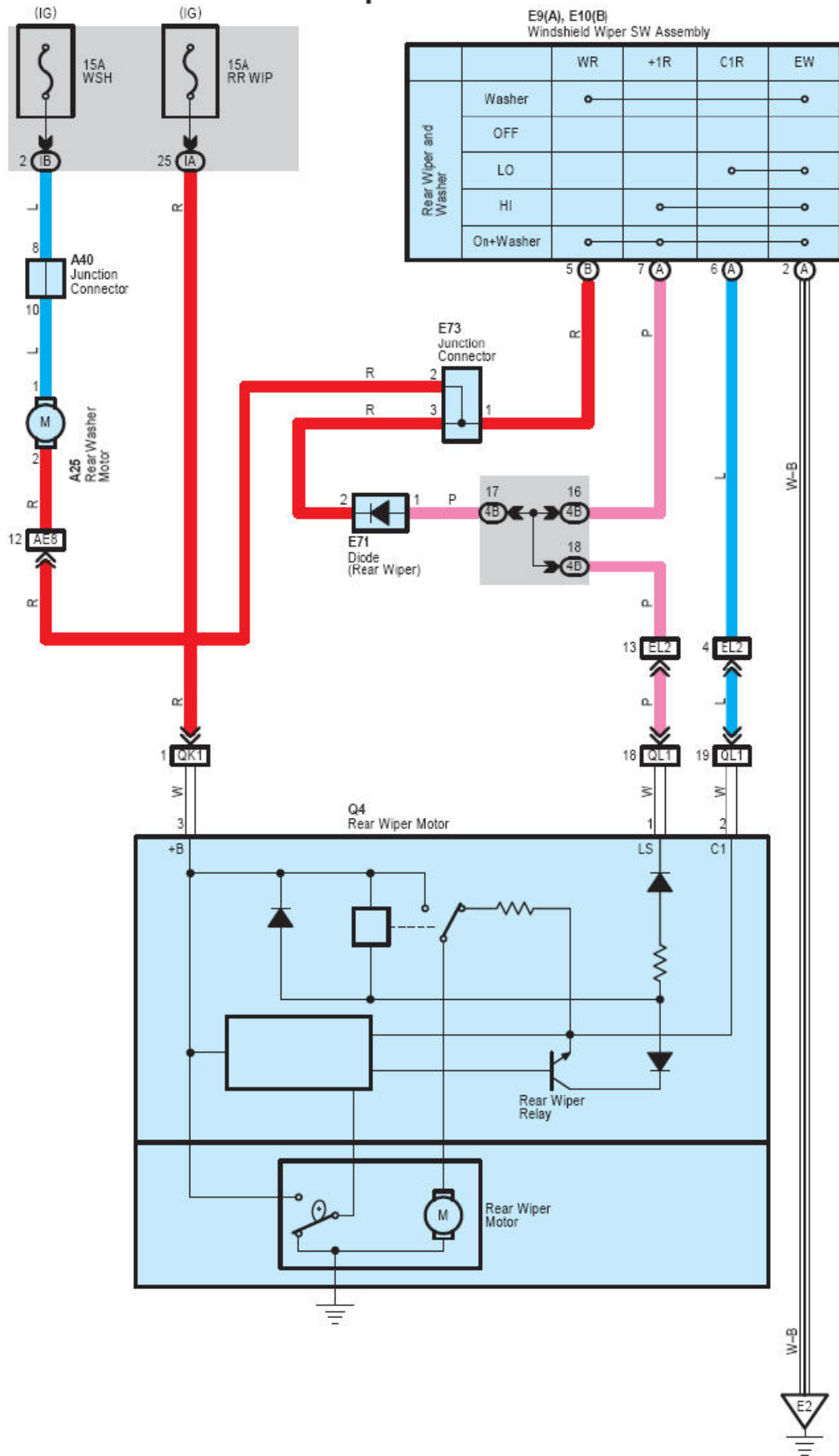


Rear Wiper and Washer



Junction Block and Wire Harness Connector

| Code | Junction Block and Wire Harness (Connector Location) |
|------|---|
| 4B | Instrument Panel Wire and J/B No.4 (Instrument Panel Center) |
| IA | Floor Wire and Instrument Panel J/B (Cowl Side Left) |
| IB | Engine Room Main Wire and Instrument Panel J/B (Cowl Side Left) |

Connector Joining Wire Harness and Wire Harness

| Code | Joining Wire Harness and Wire Harness (Connector Location) |
|------|--|
| AE8 | Engine Room Main Wire and Instrument Panel Wire (Right Side of the Instrument Panel) |
| EL2 | Instrument Panel Wire and Floor No.2 Wire (Right Kick Panel) |
| QK1 | Back Door No.1 Wire and Floor Wire (Right Rear Quarter Panel) |
| QL1 | Back Door No.2 Wire and Floor No.2 Wire (Right Rear Quarter Panel) |

Ground Points

| Code | Ground Points Location |
|------|-------------------------------------|
| E2 | Instrument Panel Reinforcement Left |