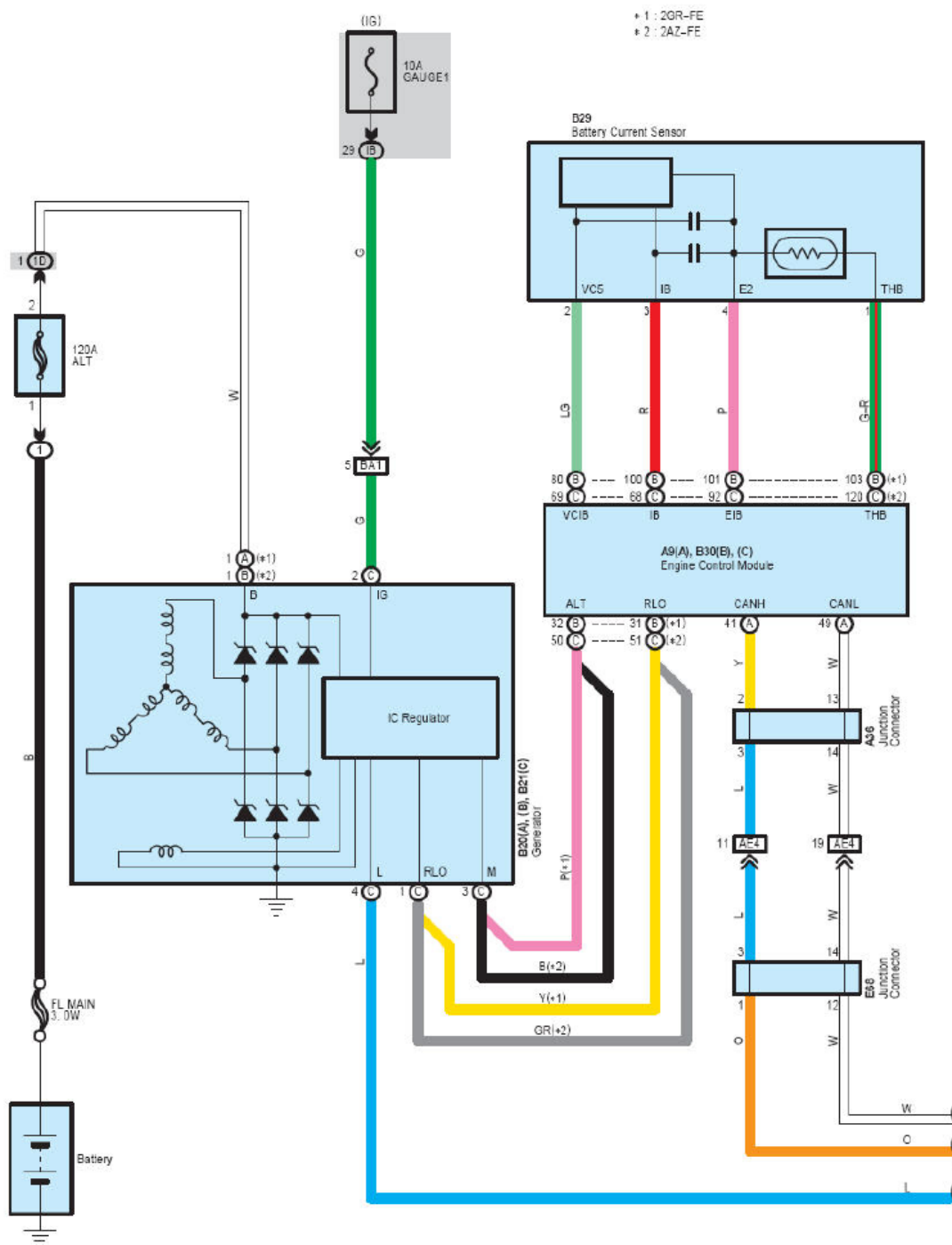
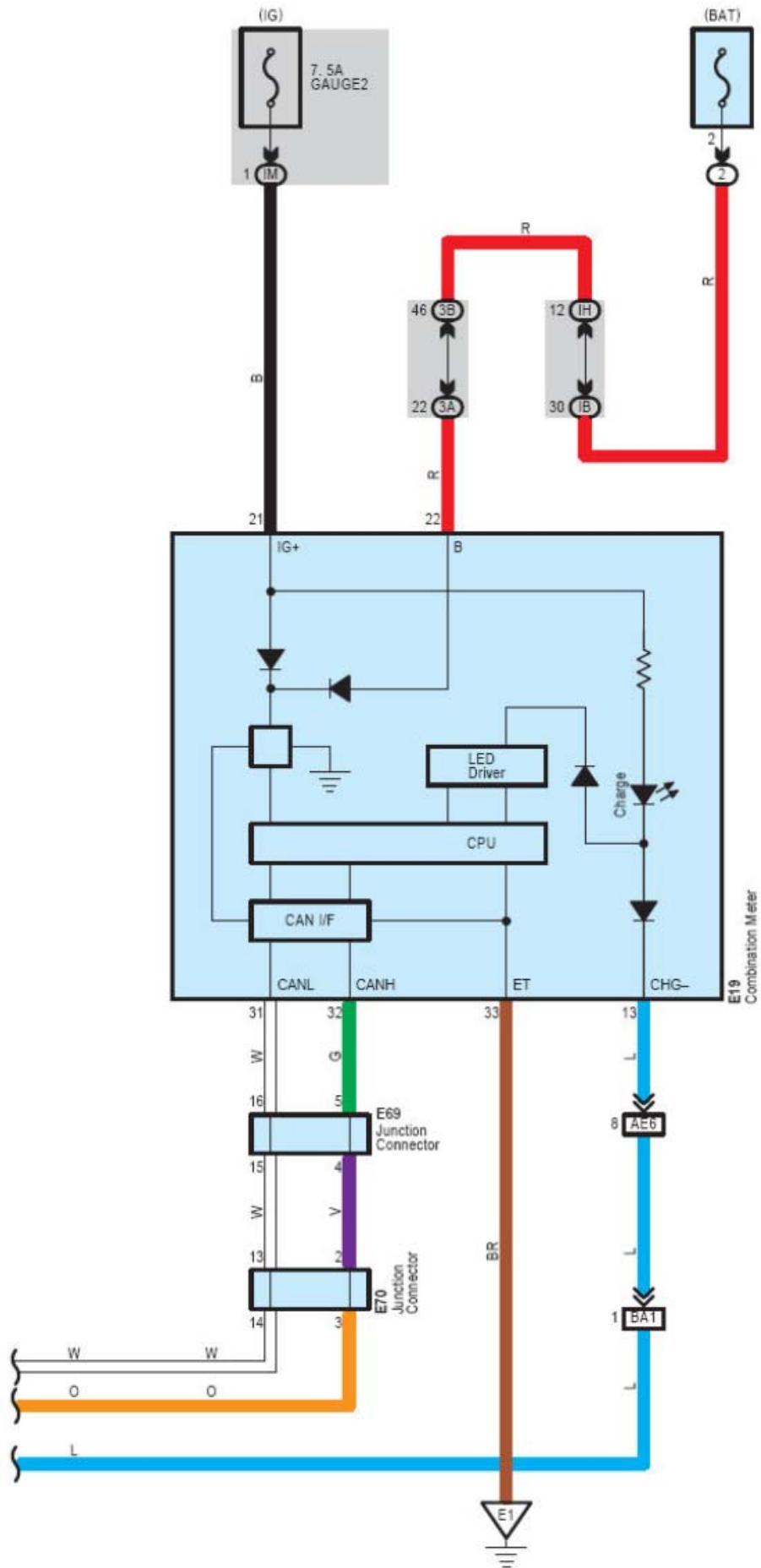


Charging without Trailer Towing





Charging without Trailer Towing Relay Blocks

Code	See Page	Relay Blocks (Relay Block Location)
2	26 (2GR-FE)	Engine Room R/B No.2 (Engine Compartment Right)Engine Room R/B No.2 (Engine Compartment Right)
	27 (2AZ-FE)	

Junction Block and Wire Harness Connector

Code	See Page	Junction Block and Wire Harness (Connector Location)
1D	22 (2GR-FE)	Engine Wire and Engine Room J/B (Engine Compartment Left)Engine Wire and Engine Room J/B (Engine Compartment Left)
	23 (2AZ-FE)	
3A 3B_	38	Instrument Panel Wire and J/B No.3 (Instrument Panel Center)Instrument Panel Wire and J/B No.3 (Instrument Panel Center)
IB	30	Engine Room Main Wire and Instrument Panel J/B (Cowl Side Left)
IH	30	Instrument Panel Wire and Instrument Panel J/B (Cowl Side Left)Instrument Panel Wire and Instrument Panel J/B (Cowl Side Left)
IM	31	

Connector Joining Wire Harness and Wire Harness

Code	See Page	Joining Wire Harness and Wire Harness (Connector Location)
AE4 AE6_	66	Engine Room Main Wire and Instrument Panel Wire (Left Side of the Instrument Panel)Engine Room Main Wire and Instrument Panel Wire (Left Side of the Instrument Panel)
BA1		
	65 (2AZ-FE)	Engine Wire and Engine Room Main Wire (Inside of the Engine Room R/B No.1 and Engine Room J/B No.1)Engine Wire and Engine Room Main Wire (Inside of the Engine Room R/B No.1 and Engine Room J/B No.1)

Ground Points

Code	See Page	Ground Points Location
E1	66	Left Kick Panel

LAUNCH